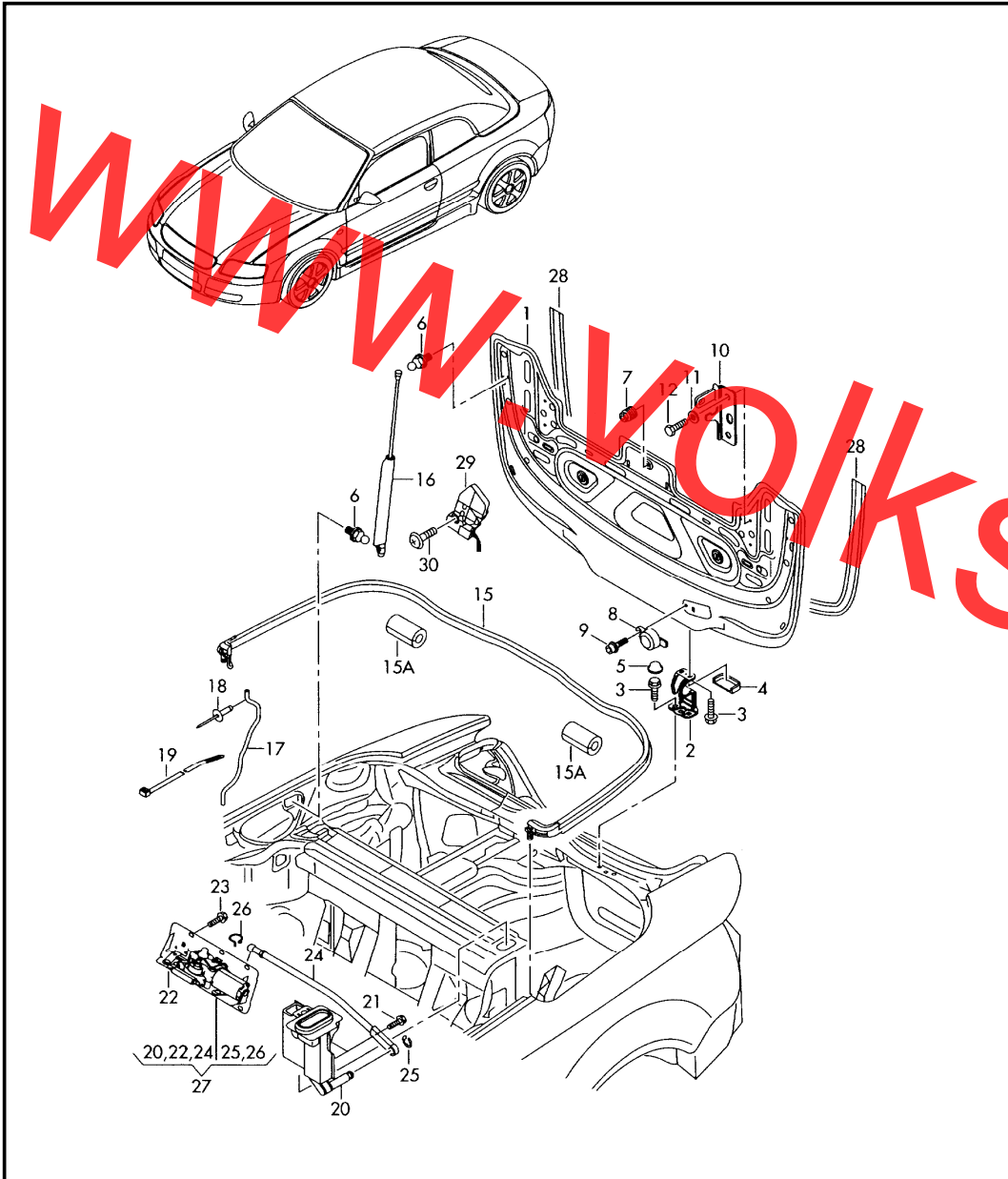


III-No. 825-00	Model Audi A4/S4 Cabrio./qu.	Year 2003 - 2006	Restrictions	Spare parts order system	11:24	08.07.2011
-------------------	---------------------------------	---------------------	--------------	--------------------------	-------	------------

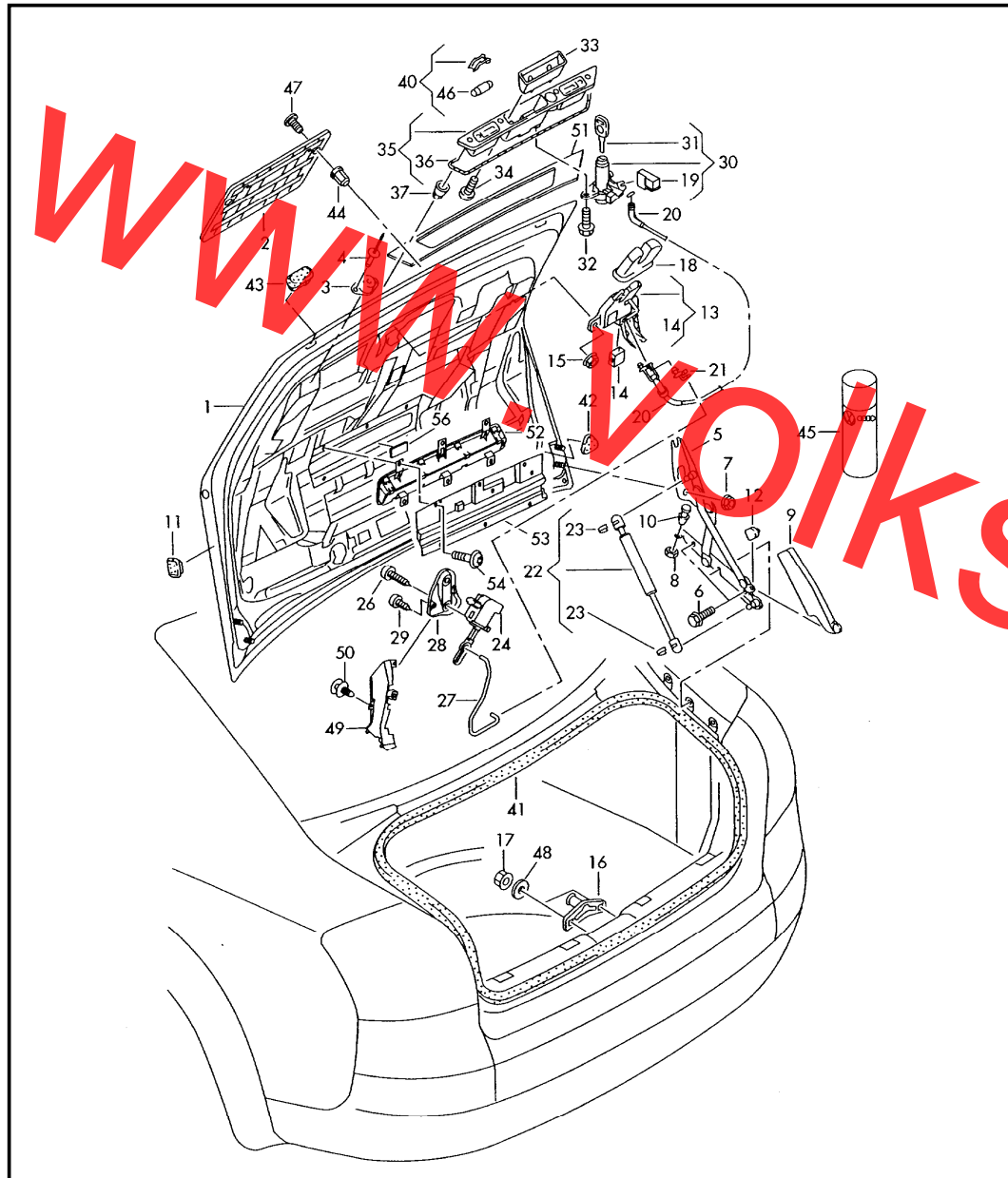


Pos	Part Number	Description	Remark	Qty	Model
1	8H0 825 300 C	cabrio top stowage box cover cover for convert. top stowage box also use:	>>F8H3004751 8H0 853 297 A	1	
2	8H0 825 307 A	hinge for convert. top stowage box		2	
3	WHT 000 238 A	hexagon head bolt (combi)	M8X22	10	
4	8H0 825 271	hinge cover		2	
5	N 909 685 01	cover cap	black	4	
6	WHT 001 333	ball pin	M8X16	2	
7	8D0 823 481	stop buffer		1	
8	8H0 825 297 A	binder		2	
9	N 101 961 03	bolt, with polygon socket hd. (combi.)	M6X18	2	
10	8H0 825 435	pull loop	left	1	
(10)	8H0 825 436	pull loop	right	1	
11	N 900 577 03	ring washer	8,4X21X2	4	
12	N 106 684 01	hexagon bolt	M8X16	4	
15	8H0 825 397	seal		1	
-	8H0 825 417	seal	left	1	
-	8H0 825 418	seal	right	1	
15A	8E5 868 735	foam packing (self-adhesive) modify in workshop		2	
16		see illustration:	871-30		
(17)	8H0 825 597	water drainage hose	left	1	
17	8H0 825 598	water drainage hose	right	1	
18	N 907 979 01	pop rivet	3,2X6,5	2	
19	N 906 437 01	cable tie with holder for weld pin:	10X187 5MM	X	
20	8H0 825 395 B	catch	left	1	

Ill-No. 825-00	Model Audi A4/S4 Cabrio./qu.	Year 2003 - 2006	Restrictions	Spare parts order system	11:24	08.07.2011
-------------------	---------------------------------	---------------------	--------------	--------------------------	-------	------------

Pos	Part Number	Description	Remark	Qty	Model	Pos	Part Number	Description	Remark	Qty	Model
(20)	8H0 825 396 B	catch	right	1							
21	N 102 252 02	hexagon head bolt (combi)	M8X12	6							
22	8H0 825 401	catch									
		F >> 8H-5-019 700*	center	1							
		F >> 8H-5-904 300*	center	1							
(22)	8H0 825 401 A	catch									
		F 8H-5-019 701>>*	center	1							
		F 8H-5-904 301>>*	center	1							
23	N 103 389 03	hex collared bolt	M6X16	6							
24	8H0 825 431 A	slide rod									
		F >>*8H-5-019 700*	left a. right	2							
		F >> 8H-5-904 300*									
(24)	8H0 825 431 B	slide rod									
		F 8H-5-019 701>>*	left a. right	2							
		F 8H-5-904 301>>*	left a. right	2							
25	N 012 435 7	lock washer	5	2							
26	8H0 898 800	1 set securing bars		1							
27	8H0 825 399 B	catch		1							
		cabrio top stowage box cover									
28		see illustration:	853-70								
29	8H0 959 561	micro switch	right	1							
30	N 903 642 01	fillister hd. bolt	3,5X16	1							

III-No. 827-10	Model Audi A4/S4 Cabrio./qu.	Year 2003 - 2006	Restrictions	Spare parts order system	11:48	08.07.2011
-------------------	---------------------------------	---------------------	--------------	--------------------------	-------	------------

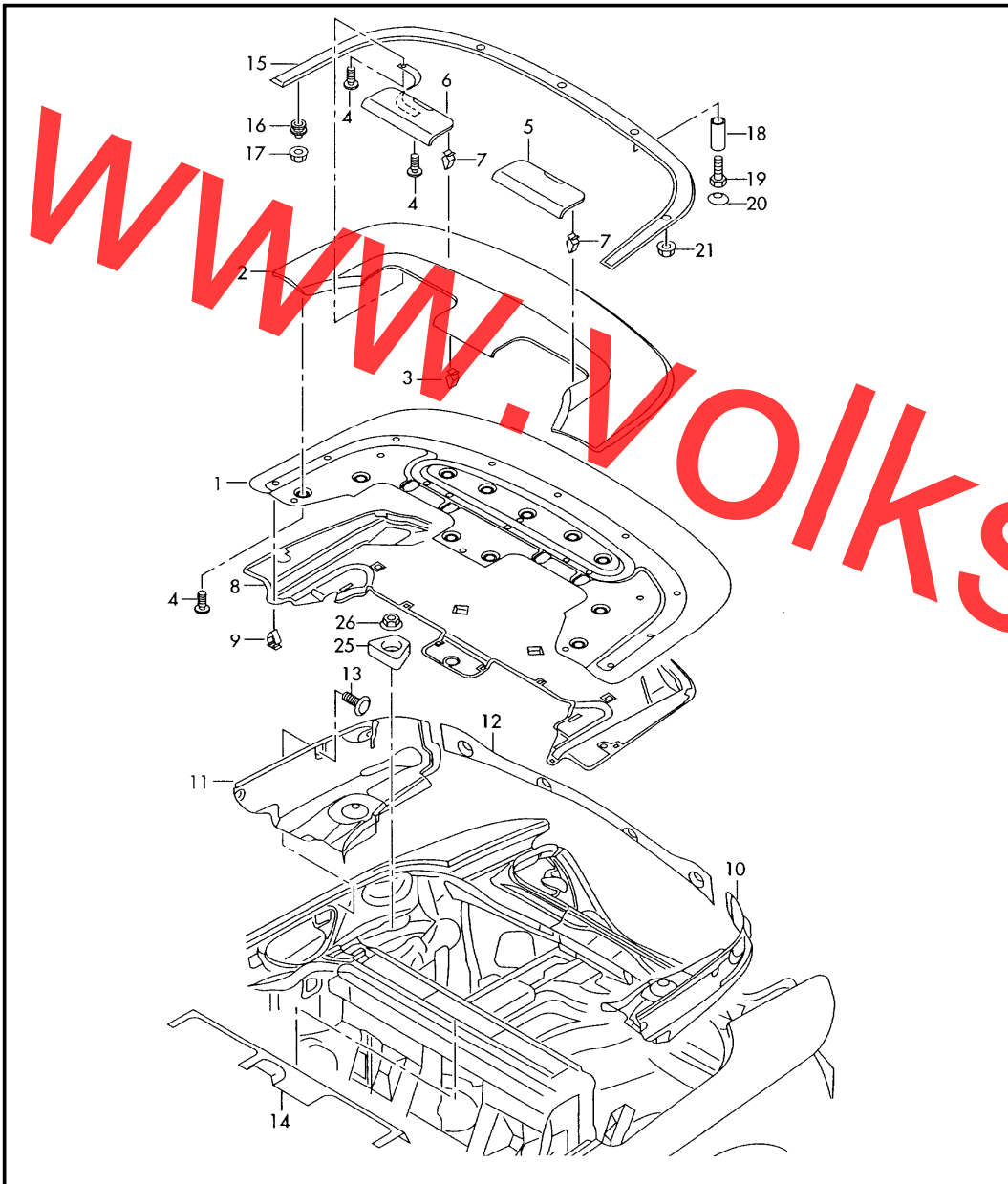


Pos	Part Number	Description	Remark	Qty	Model
		rear lid			
1	8H0 827 023 B	rear lid		1	
	04/02-12/05	primed			
(1)	8H0 827 023 D	rear lid		1	"J.", "MEX", "THA"
	04/02-12/05	primed			
(2)	8D0 853 419 D	packing, adhesive	2,5MM	1	
		modify in workshop			
3	8H0 827 249	stop buffer, adjustable		2	
4	N 016 202 3	cup rivet	4X8	4	
(5)	8H0 827 301 B	lid hinge	left	1	
5	8H0 827 302 B	lid hinge	right	1	
6	WHT 000 238 A	hexagon head bolt (combi)	M8X22	6	
7	N 906 107 01	hexagon nut, shouldered	M8	6	
-	8H0 827 261	cover cap	SW13	4	
		F 8H-4-019 175>>			
8	N 011 116 5	hexagon nut	M6	1	
9		cable guide			
10	8G0 827 371	adjusting screw		2	
11	8H0 827 373	stop	left a. right	2	
12	8E5 827 378	stop	left a. right	2	
13	8E5 827 505 B	lid lock		1	
14	8D5 959 489 B	switch		1	
15	N 101 961 03	bolt, with polygon socket hd. (combi.)	M6X18	2	
16	8E5 827 507	striker plate		1	
17	N 010 287 12	hexagon bolt	M6X16	2	
18	8E5 827 520	cover cap		1	
		lid lock			

III-No. 827-10	Model Audi A4/S4 Cabrio./qu.	Year 2003 - 2006	Restrictions	Spare parts order system	11:48	08.07.2011
-------------------	---------------------------------	---------------------	--------------	--------------------------	-------	------------

Pos	Part Number	Description	Remark	Qty	Model	Pos	Part Number	Description	Remark	Qty	Model
19	8E0 953 229	micro switch		1		42	8E5 827 976	grommet		1	
20	8H0 827 531 A	lid lock cable		1		43	8H0 827 713	bungs	12X6MM	2	
21	8E5 827 547	bush for connecting rod		1		44	N 906 481 02	riveted cap nut	M6X0,8-3	2	
22	8H0 827 552 B	gas filled strut		2		45	G 052 778 A2	lock cylinder grease spray	50ML	1	
		also use:	*->8H-3-021100			47	N 104 065 04	oval hexagon socket head bolt	M6X12	2	"J.."
			8H0 827 552 B	1		48	N 900 662 03	ring washer	6,4X22X2,75	2	
23	443 823 397	clip		4		49	8H0 827 257	cover servomotor		1	
24	4B9 962 115 C	throttle control element remote control		1		50	4B0 863 907 A	clip cover		3	
26	N 908 311 01	oval head panel screw	4,8X28	2			09/02-06/06 01C	satin black			
27	8H0 827 521	operating rod		1		51	8H0 827 699	trim plate for grip molding		1	
28	8E9 827 833	securing plate		1			04/02-12/05 01C	satin black			
29	N 013 970 6	oval head panel screw	4,8X9,5	2		52		additional brake light			
30		lock cylinder						see illustration:	945-00		
		see illustration:	837-10			53	8H0 827 339 A	cover	centre inner	1	
31		main key						brake light			
		see illustration:	837-10			54	N 906 599 01	oval hexagon socket head bolt	M4X16	6	
32	N 905 330 05	hexagon head bolt (combi)	M6X20	1		56	533 867 910 A	felt strips (self-adhesive)	20X1X880MM	X	
33	8E0 827 566	push button for electric lid lock actuator	aluminium	1				'order qty. 25'			
		use if required:	8E0 971 145								
		use for:	8E0 827 576								
-	8E0 971 145	wiring harness for number plate light		1							
34	N 906 402 01	fillister hd. bolt	M5X12	2							
35	8E0 827 576	grip molding	aluminium	1							
	04/02-06/06 3FZ	black									
36		use item:	35								
37	8E0 827 657 F	retaining bar	left,right	2							
40		licence plate light									
		see diagram, item:	945-00,25								
41	8H0 827 705 A	gasket for flap	rear	1							

III-No. 863-70	Model Audi A4/S4 Cabrio./qu.	Year 2003 - 2006	Restrictions	Spare parts order system	11:21	08.07.2011
-------------------	---------------------------------	---------------------	--------------	--------------------------	-------	------------

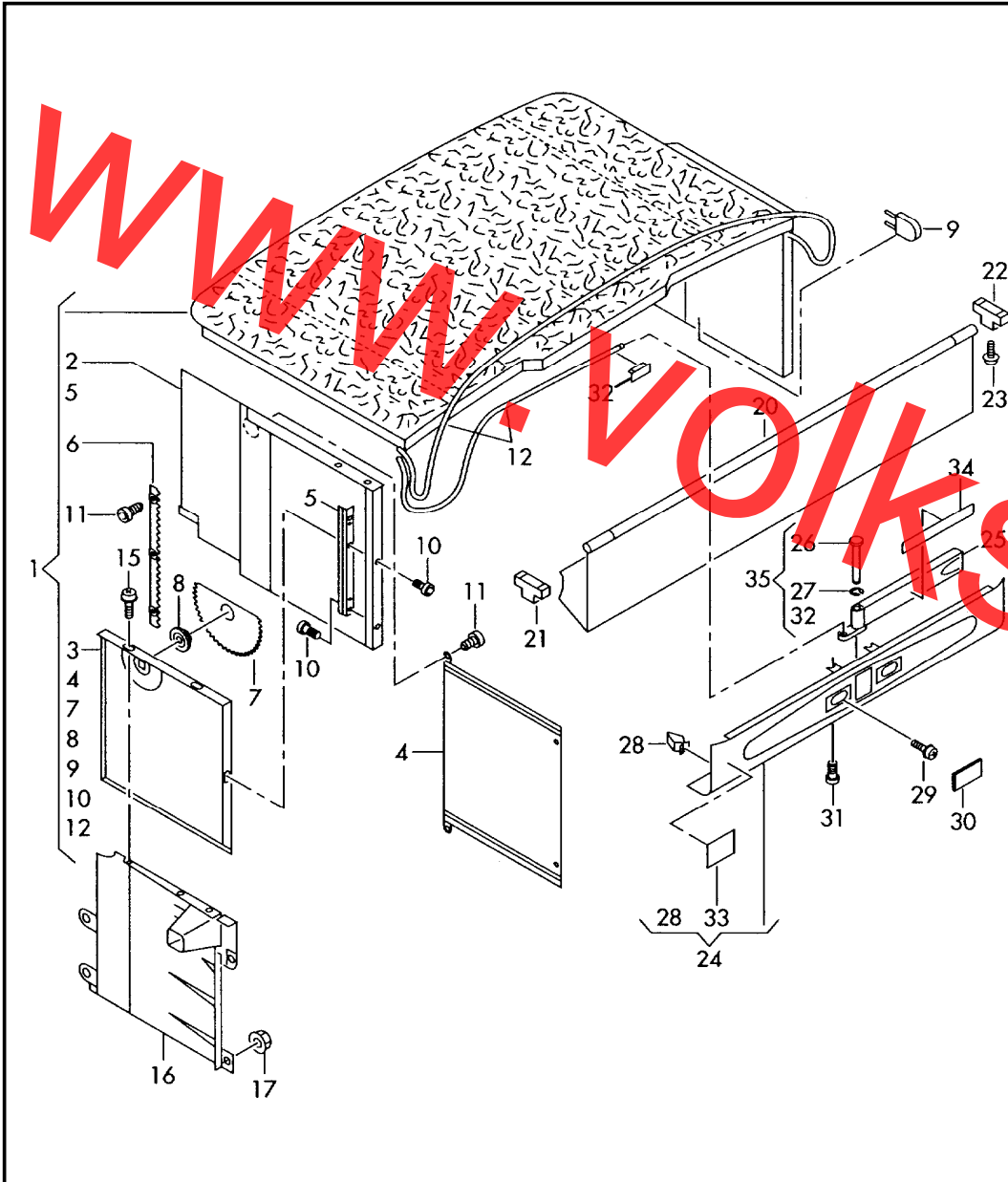


Pos	Part Number	Description	Remark	Qty	Model
1		trim cabrio top stowage box cover trim for convert. top stowage box cover for convert. top stowage box see illustration:	825-00		
2	8H0 867 877 04/02-06/06 24A	lining - cover soul (black)	outer -LA,LL,LM,LN, MG,ML,MM,MN, QE,QL,ZM,ZQ, ZU,HJ,NK	1	
	04/02-12/05 33F	swing (dark grey)	-LF,MH		
	04/02-12/05 35J	jive (grey beige)	-LE		
	04/02-12/05 6H7	indigo blue	-LJ,LP,MJ,MK		
3	4A0 867 276 B	clip		13	
4	N 106 562 02	hexagon socket head bolt	3,5X9,5	6	
5	8H0 863 575 04/02-06/06 24A	cover soul (black)	left -LA,LL,LM,LN, MG,ML,MM,MN, QE,QL,ZM,ZQ, ZU,HJ,NK	1	
	04/02-12/05 33F	swing (dark grey)	-LF,MH		
	04/02-12/05 35J	jive (grey beige)	-LE		
	04/02-12/05 6H7	indigo blue	-LJ,LP,MJ,MK		
6	8H0 863 576 04/02-06/06 24A	cover soul (black)	right -LA,LL,LM,LN, MG,ML,MM,MN, QE,QL,ZM,ZQ, ZU,HJ,NK	1	
	04/02-12/05 33F	swing (dark grey)	-LF,MH		
	04/02-12/05 35J	jive (grey beige)	-LE		
	04/02-12/05 6H7	indigo blue	-LJ,LP,MJ,MK		

III-No. 863-70	Model Audi A4/S4 Cabrio./qu.	Year 2003 - 2006	Restrictions	Spare parts order system	11:21	08.07.2011
-------------------	---------------------------------	---------------------	--------------	--------------------------	-------	------------

Pos	Part Number	Description	Remark	Qty	Model	Pos	Part Number	Description	Remark	Qty	Model
7	1C0 867 388	clip		4							
8	8H0 863 899	lining - cover	inner	1							
9	8E0 863 727 A	retaining clip		15							
10	8H0 864 401	trim for convert. top stowage box	left	1							
	04/02-09/02 2Z3	graphitegrey									
(10)	8H0 864 401 C	trim for convert. top stowage box	left	1							
	10/02-06/06 2Z3	graphitegrey									
(11)	8H0 864 402 B	trim for convert. top stowage box	right	1							
	04/02-09/02 2Z3	graphitegrey									
(11)	8H0 864 402 D	trim for convert. top stowage box	right	1							
	10/02-06/06 2Z3	graphitegrey									
12	8H0 864 407	trim	center	1							
	04/02-06/06 2Z3	graphitegrey									
13	4B0 863 907 A	clip		10							
	04/02-06/06 01C	satin black									
14	8H0 863 593	trim		1							
15/21		see illustration:	853-70								
25	8H0 813 195	stop top frame	left a. right	2							
26	8E0 825 265 C	hexagon nut, shouldered	(plastic)	2							

III-No. 863-75	Model Audi A4/S4 Cabrio./qu.	Year 2003 - 2006	Restrictions	Spare parts order system	11:22	08.07.2011
-------------------	---------------------------------	---------------------	--------------	--------------------------	-------	------------

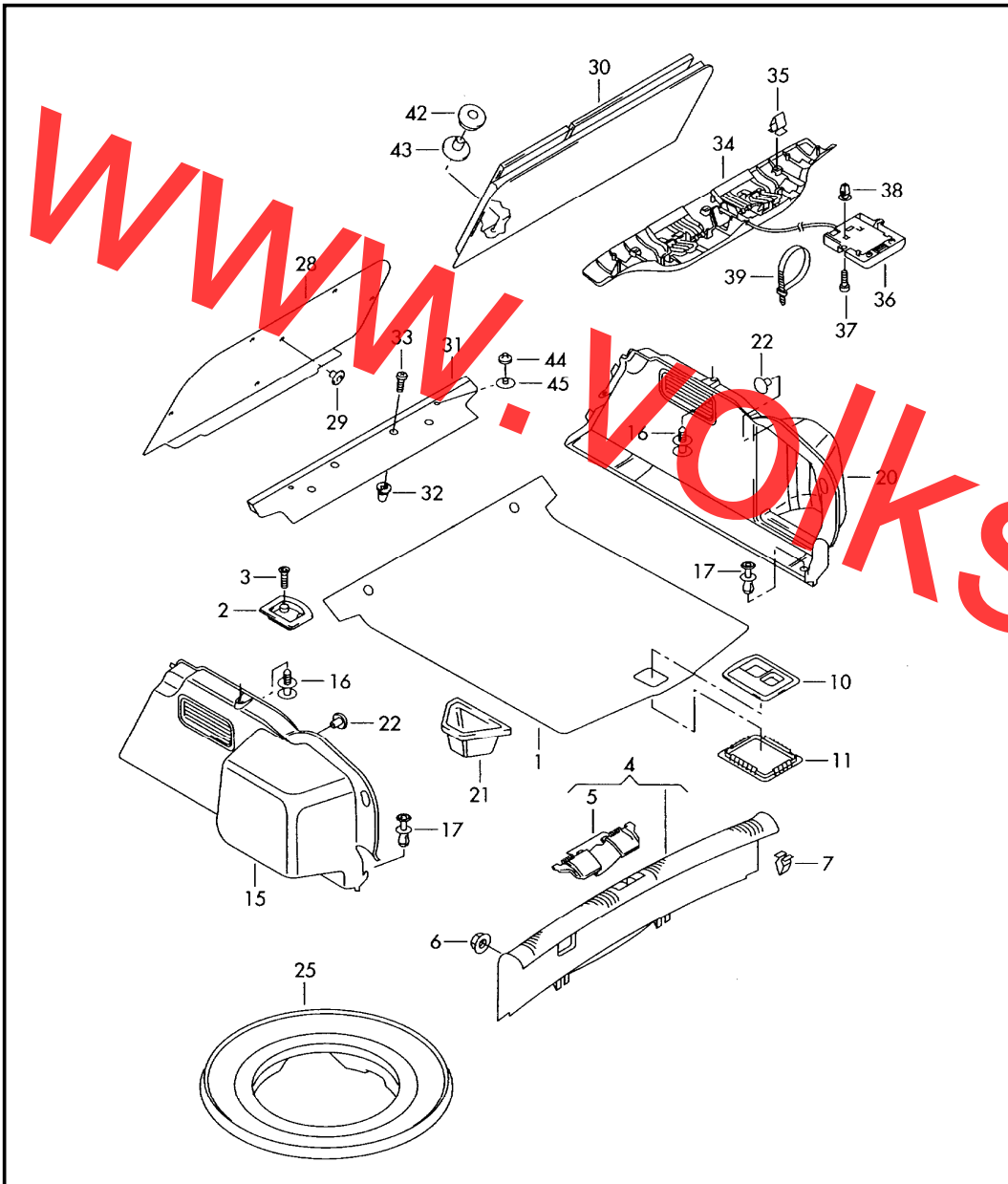


Pos	Part Number	Description	Remark	Qty	Model
1	8H0 863 491 D	convertible top storage area floor, height adjustable		1	
2	04/02-06/06 2Z3	convertible top storage area floor, height adjustable contains additional positions: graphitgrey	24,25,28,35	2	
3		side part for this use:	8H0 863 491 A 2Z3	2	
4		carrier for this use:	8H0 863 491 A 2Z3	2	
5		cover carrier for this use:	8H0 863 491 A 2Z3	2	
6		slide rail for this use:	8H0 863 491 A 2Z3	4	
7		steering rod for this use:	8H0 863 491 A 2Z3	2	
8		toothed quadrant for this use:	8H0 863 491 A 2Z3	2	
9		lock washer for this use:	8H0 863 491 A 2Z3	2	
10	8H0 953 229	micro switch		1	
11		bowden cable for this use:	8H0 863 491 A 2Z3	2	
12	- N 020 902 2	cable ties	3,6X246	1	
13	N 106 518 01	hexagon socket flat head bolt	M5X14	4	
14	8H0 813 383	console	left	1	

Ill-No. 863-75	Model Audi A4/S4 Cabrio./qu.	Year 2003 - 2006	Restrictions	Spare parts order system	11:22	08.07.2011
-------------------	---------------------------------	---------------------	--------------	--------------------------	-------	------------

Pos	Part Number	Description	Remark	Qty	Model	Pos	Part Number	Description	Remark	Qty	Model
(16)	8H0 813 384	console	right	1							
17	N 901 752 05	hexagon nut, shouldered	M6	8							
20	8H0 863 655	lid		1							
	04/02-06/06 4PK	soul (black)									
21	8H0 863 205	hinge	left	1							
22	8H0 863 206	hinge	right	1							
23	N 103 471 03	hexagon socket oval head panel bolt (combi)	M6X20	4							
24	8H0 863 337	trim handle		1							
	04/02-06/06 4PK	soul (black)									
25	8H0 867 621	handle		1							
	04/02-06/06 4PK	soul (black)									
26		pin		1							
		for this use:	8H0 898 058								
27		securing ring		1							
		for this use:	8H0 898 058								
28	4A0 867 276 A	clip		2							
29	8H0 864 809	shouldered bolt	M6X15	2							
30	8H0 863 051	cover	left	1							
(30)	8H0 863 052	cover	right	1							
31	N 905 375 02	hexagon socket oval head bolt (combi)	M6X20	2							
32	311 867 943	clip		1							
33		discont. / replacement item:	34								
34		notice									
		see illustration:	010-10								
35	8H0 898 058	small parts kits		1							

III-No. 863-80	Model Audi A4/S4 Cabrio./qu.	Year 2003 - 2006	Restrictions	Spare parts order system	11:22	08.07.2011
-------------------	---------------------------------	---------------------	--------------	--------------------------	-------	------------

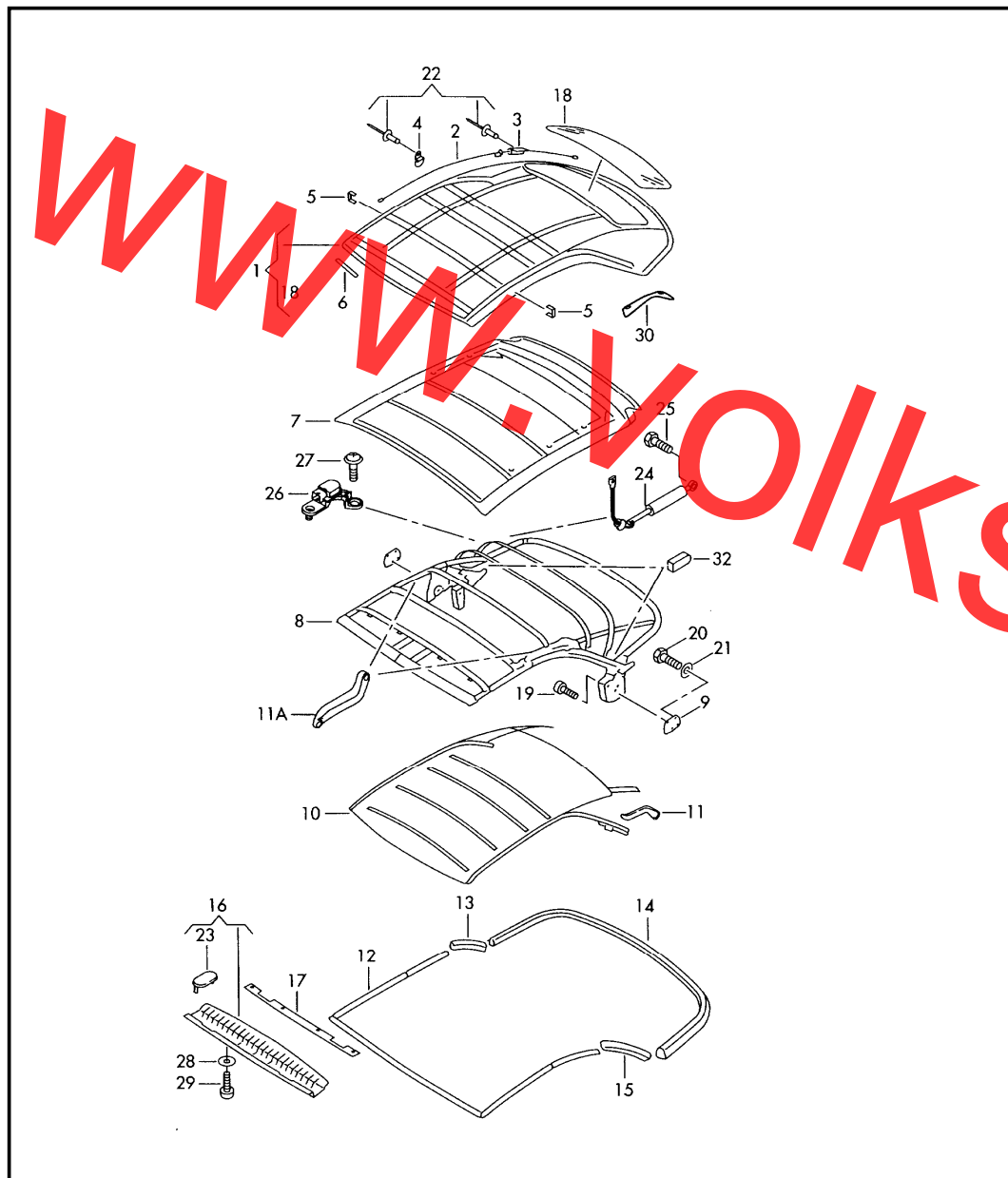


Pos	Part Number	Description	Remark	Qty	Model
		luggage compartment trim rear panel trim			
1	8H0 863 463	luggage comp. floor covering		1	PR-H3R,H6U
	04/02-02/03 2Z3	graphitegrey			
(1)	8H0 863 463	luggage comp. floor covering		1	PR-1G0,1G5,1G8
	03/03-12/05 2Z3	graphitegrey			
(1)	8H0 863 463	luggage comp. floor covering		1	PR-1G3+HD3, HK5,H2U,H3R,H6U
	03/03-06/06 2Z3	graphitegrey			
(1)	8H0 863 463 A	luggage comp. floor covering		1	PR-H8A
	04/02-02/03 2Z3	graphitegrey			
(1)	8H0 863 463 A	luggage comp. floor covering		1	PR-1G3+H8A
	03/03-06/06 2Z3	graphitegrey			
4	8H0 863 471	trim for rear cross panel		1	
	04/02-06/06 4PK	soul (black)			
-	8E0 867 443	dummy cover luggage compartment light		1	
7	4A0 867 276 B	clip		4	
10	8E5 863 627	handle	upper	1	
11	8E5 863 638	handle	lower	1	
(15)	8H0 863 887	luggage compartment trim	left	1	PR-7Q9
	04/02-12/05 2Z3	graphitegrey			
-	8H0 863 688	cover with frame	left	1	PR-7Q9
	04/02-12/05 4PK	soul (black)	left		
(15)	8H0 863 887 A	luggage compartment trim	left	1	PR-QV0+1D0+7Q0
	04/02-12/03 2Z3	graphitegrey			
(15)	8H0 863 887 B	luggage compartment trim	left	1	PR-7Q2,7Q6

III-No. 863-80	Model Audi A4/S4 Cabrio./qu.	Year 2003 - 2006	Restrictions	Spare parts order system	11:22	08.07.2011
-------------------	---------------------------------	---------------------	--------------	--------------------------	-------	------------

Pos	Part Number	Description	Remark	Qty	Model	Pos	Part Number	Description	Remark	Qty	Model
(15)	04/02-12/03 2Z3 8H0 863 887 B	graphitegrey luggage compartment trim	left	1	PR-1D2+7Q0	25	8E0 863 327	shelf for temporary spare wheel		1	PR-1G5
(15)	04/02-12/03 2Z3 8H0 863 887 A	graphitegrey luggage compartment trim	left	1	PR-QV0+1D0+ 7K0+7Q0,7Q2	-	447 857 991 J	intermediate layer spare wheel well	130X165	X	
(15)	01/04-12/05 2Z3 8H0 863 887 B	graphitegrey luggage compartment trim	left	1	PR-7Q6	28	8H0 863 573	rear panel trim		1	
(15)	01/04-12/05 2Z3 8H0 863 887 B	graphitegrey luggage compartment trim	left	1	PR-QV1+7Q0, 7Q2	29	4B0 863 907 A	clip		8	
(15)	01/04-12/05 2Z3 8H0 863 887 B	graphitegrey luggage compartment trim	left	1	PR-1D2+7Q0, 7Q2	-	04/02-06/06 01C 533 867 910 A	satin black felt strips (self-adhesive) 'order qty. 25'	20X1X880MM	X	
(15)	01/04-12/05 2Z3 8H0 863 887 B	graphitegrey luggage compartment trim	left	1	PR-7K7,7K8+ 7Q0,7Q2						
16	06/04-12/05 2Z3 4B0 863 907 A	graphitegrey clip		X							
(17)	04/02-06/06 01C 4A0 867 276 B	satin black clip		X							
20	8H0 863 888	luggage compartment trim	right	1							
(20)	04/02-06/06 2Z3 8H0 863 888 A	graphitegrey luggage compartment trim with stowage net	right	1							
-	04/02-06/06 2Z3 8H0 863 991	graphitegrey cover luggage compartment trim included at item:	round left a. right 15+20	2							
22	04/02-06/06 4PK 4B0 863 907 A	soul (black) clip		X							
	04/02-06/06 01C	satin black									

III-No. 871-10	Model Audi A4/S4 Cabrio./qu.	Year 2003 - 2006	Restrictions	Spare parts order system	11:28	08.07.2011
-------------------	---------------------------------	---------------------	--------------	--------------------------	-------	------------



Pos	Part Number	Description	Remark	Qty	Model
1	8H0 871 035 B	cover - top individ. parts f. hood cover top frame roof cover (fabric) with rear window use if required:	8H0 898 160 8H0 898 246 A 8H0 898 247 8H0 898 252	1 1 1 1	
	04/02-06/06 7M4	dark blue for roof colour:	PB,PG,PH		
(1)	8H0 871 035 D	roof cover (fabric) with rear window use if required:	8H0 898 160 8H0 898 246 A 8H0 898 247 8H0 898 252	1 1 1 1	
	04/02-06/06 L50	granat red for roof colour:	SF,PL,PM		
	04/02-06/06 2Y5	black for roof colour:	PA,PE,PF		
	04/02-06/06 3R5	jive (grey beige) for roof colour:	PD,PJ,PK		
2	8H0 871 971	tension wire		2	
-	8H0 871 707	cable rear window		2	
3	8H0 871 989 A	guide		2	
-	8H0 871 407	guide bush cable rear window		2	
4	8H0 898 254	retainer for cable		1	
5	8H0 898 246 A	1 set of retaining clips		1	
6	8H0 898 247	1 set clamp strips	left a. right	1	
7	8H0 871 901	cushioning		1	

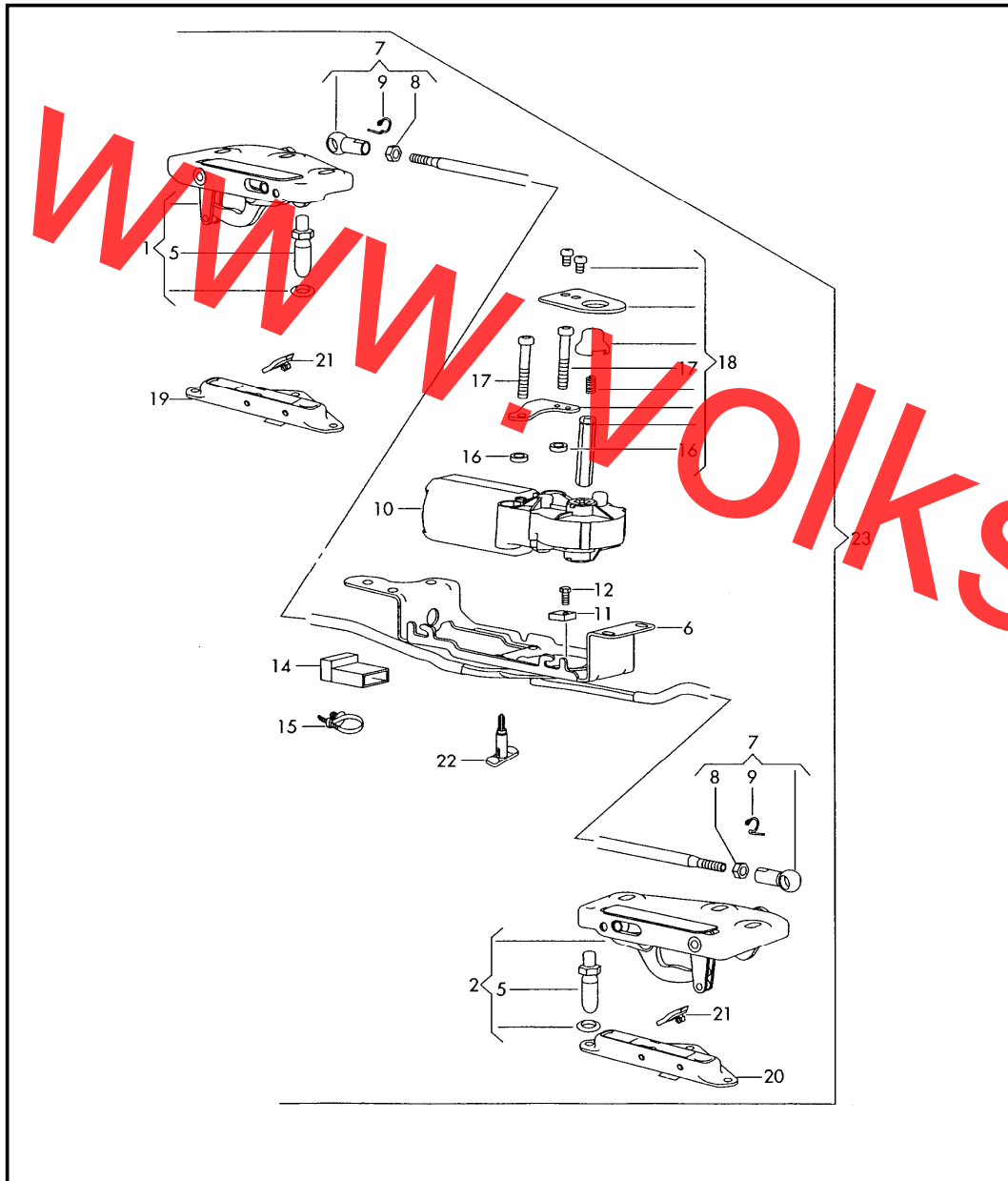
III-No. 871-10	Model Audi A4/S4 Cabrio./qu.	Year 2003 - 2006	Restrictions	Spare parts order system	11:28	08.07.2011
-------------------	---------------------------------	---------------------	--------------	--------------------------	-------	------------

Pos	Part Number	Description	Remark	Qty	Model	Pos	Part Number	Description	Remark	Qty	Model
8	8H0 871 025 E	top frame		1		04/02-12/05 24A	soul (black)		-MG,MH,MJ,MK, ML,MM,MN,QE, QL,ZM,ZQ,ZU		
		also use:	*>>8H-4-027529								
			8H0 898 256 B	1							
		also use:	*>>8H-5-014554			04/02-12/05 W23	platinum		-LA,LF,LJ,LL, LM,LN,LP		
			*>>8H-5-901828								
			N 905 636 02	6							
-	N 905 636 02	ring washer	6,4X22X1,6	6		04/02-12/05 36K	twist (beige)		-LE		
-	8H0 898 256 B	repair set for hydraulic cylinder fasteners		1		17 8H0 871 355	border strip	front		1	
9	8H0 810 689	support	left	1		- 8H0 871 375	formed part roof frame	left		1	
(9)	8H0 810 690	support	right	1		- 8H0 871 376	formed part roof frame	right		1	
10	8H0 871 047	headlining	inner	1		18	heated rear window		** not exchangeable **		
		also use:	8H0 898 160	1		19 N 909 369 01	socket head collared bolt with inner multipoint head	M10X38		6	
	04/02-12/05 8E3	soul (black)	-MG,MH,MJ,MK, ML,MM,MN,QE, QL,ZM,ZQ,ZU			20 N 010 287 12	hexagon bolt	M6X16		4	
	04/02-12/05 8G4	light platinum (grey)	-LA,LF,LJ,LL, LM,LN,LP			21 N 905 908 02	ring washer	6,4X32X2		4	
	04/02-12/05 8H5	twist (beige)	-LE			22 8H0 898 252	1 set pop rivets for cover frame			1	
-	8H0 898 160	repair set headlining		1		23 8H0 871 727	cover emergency release	front		1	
11	8H0 898 249	1 set wind deflectors for soft top headliner F >> 8H-3-026 865*	left a. right	1		04/02-12/05 24A	soul (black)		-MG,MH,MJ,MK, ML,MM,MN,QE, QL,ZM,ZQ,ZU		
11A	8H0 898 349	bow reinforcement F 8H-3-026 866>>*	left a. right	1		04/02-12/05 W23	light platinum (grey)		-LA,LF,LJ,LL, LM,LN,LP		
12	8H0 845 353 B	roof frame seal	front	1		04/02-12/05 36K	twist (beige)		-LE		
13	8H0 845 430 C	seal	centre right	1		24 8H0 871 537	brake element	left a. right		2	
14	8H0 845 433 C	seal	rear	1		25 8H0 898 109 A	1 set of attachment parts for brake element			2	
15	8H0 845 429 D	seal	centre left	1		26 8H0 959 613 A	potentiometer	right		1	
16	8H0 871 277	trim soft top catch		1			note				
							technical product information:	2012370			
						27 N 903 474 02	oval head panel screw	4X12		1	

Ill-No. 871-10	Model Audi A4/S4 Cabrio./qu.	Year 2003 - 2006	Restrictions	Spare parts order system	11:28	08.07.2011
-------------------	---------------------------------	---------------------	--------------	--------------------------	-------	------------

Pos	Part Number	Description	Remark	Qty	Model	Pos	Part Number	Description	Remark	Qty	Model
28	N 011 692 9	ring washer	5,1X15X1	9							
29	N 014 131 3	fillister hd. bolt	M5X15	9							
30	8H0 898 250 A	1 set tensioning bars for soft top frame		1							
	8H0 959 722 A	micro switch	right	1							
32	8H0 898 295	guide section		1							
-	8H0 898 251	1 set tensioning springs		1							
-	8H0 898 241	1 set of straps with mounting parts		1							
-	8H0 898 253	1 set of attachment parts for soft top frame		1							
-	N 906 323 03	hexagon socket head panel bolt	4,2X9,5	20							

III-No. 871-25	Model Audi A4/S4 Cabrio./qu.	Year 2003 - 2006	Restrictions	Spare parts order system	11:29	08.07.2011
-------------------	---------------------------------	---------------------	--------------	--------------------------	-------	------------

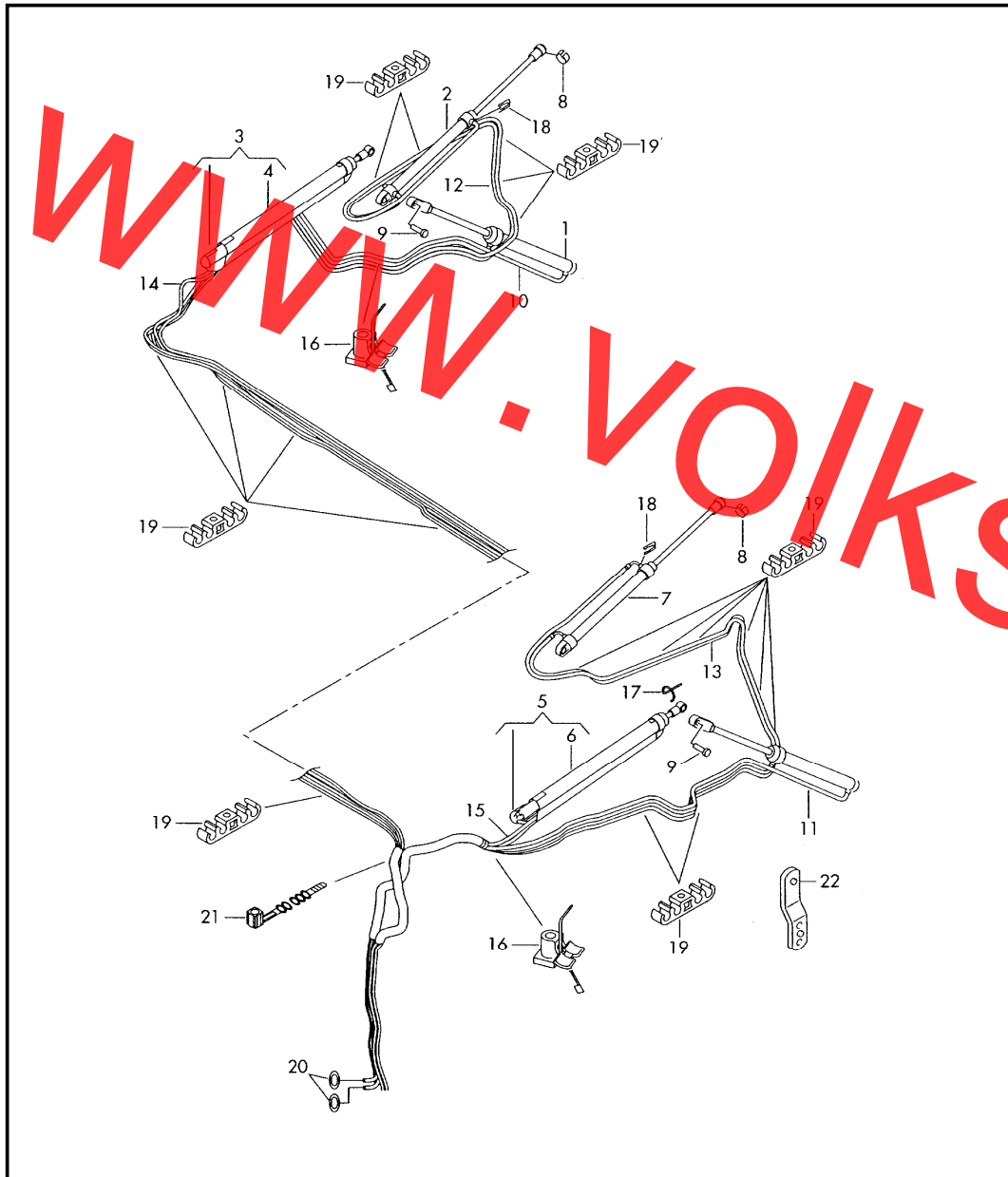


Pos	Part Number	Description	Remark	Qty	Model
1	8H0 871 386 A	soft top catch with linkage top lock upper part also use:	right >>8H-5-014554 >>8H-5-901828 N 905 636 02	1	
2	8H0 871 385 A	top lock upper part also use:	left >>8H-5-014554 >>8H-5-901828 N 905 636 02	1	
-	N 106 320 02	oval socket head bolt with hex drive fasteners to be used for item:	M6X16 1, 2, 6	10	
3	8H0 871 383	soft top catch drive unit		1	
5	8H0 817 939	centralising sleeve		1	
6	8H0 871 080 A	soft top catch with linkage also use:	M6X0,5 8H0 871 225 A	1	
7	8H0 871 225	ball socket F >> 8H-3-016 556	M6X1	2	
(7)	8H0 871 225 A	ball socket F 8H-3-016 557>>	M6X0,5	2	
8		included at item:	7		
9	8H0 898 800	1 set securing bars		2	
10	8H0 959 731	electric motor		1	
11	8H0 959 985	micro switch		1	
12	N 010 263 4	hexagon bolt	M4X6	1	
14	4B0 971 995	flat connector housing	5 pin	1	
15	3D0 971 838 N	cable ties	4,5X200	X	
16	8H0 898 387	spacer sleeve		2	
17	N 105 821 03	hexagon socket flat head bolt	M6X40	2	

Ill-No. 871-25	Model Audi A4/S4 Cabrio./qu.	Year 2003 - 2006	Restrictions	Spare parts order system	11:29	08.07.2011
-------------------	---------------------------------	---------------------	--------------	--------------------------	-------	------------

Pos	Part Number	Description	Remark	Qty	Model	Pos	Part Number	Description	Remark	Qty	Model
18	8H0 898 010	repair kit for drive unit		1							
19	8H0 871 397	soft top catch lower part	left	1							
20	8H0 871 398 A	soft top catch lower part	right	1							
	N 102 854 02	hexagon socket head bolt fasteners to be used for item:	M6X15 19, 20	6							
21	8H0 898 121	glide piece		1							
22	8H0 825 381	emergency key		1							
23	8H0 871 401 B	soft top catch also use:	>>8H-5-014554 >>8H-5-901828 N 905 636 02	1 6							
-	N 905 636 02	ring washer	6,4X22X1,6	6							
-		wiring set for soft top catch see illustration:	972-45								

III-No. 871-30	Model Audi A4/S4 Cabrio./qu.	Year 2003 - 2006	Restrictions	Spare parts order system	11:29	08.07.2011
-------------------	---------------------------------	---------------------	--------------	--------------------------	-------	------------

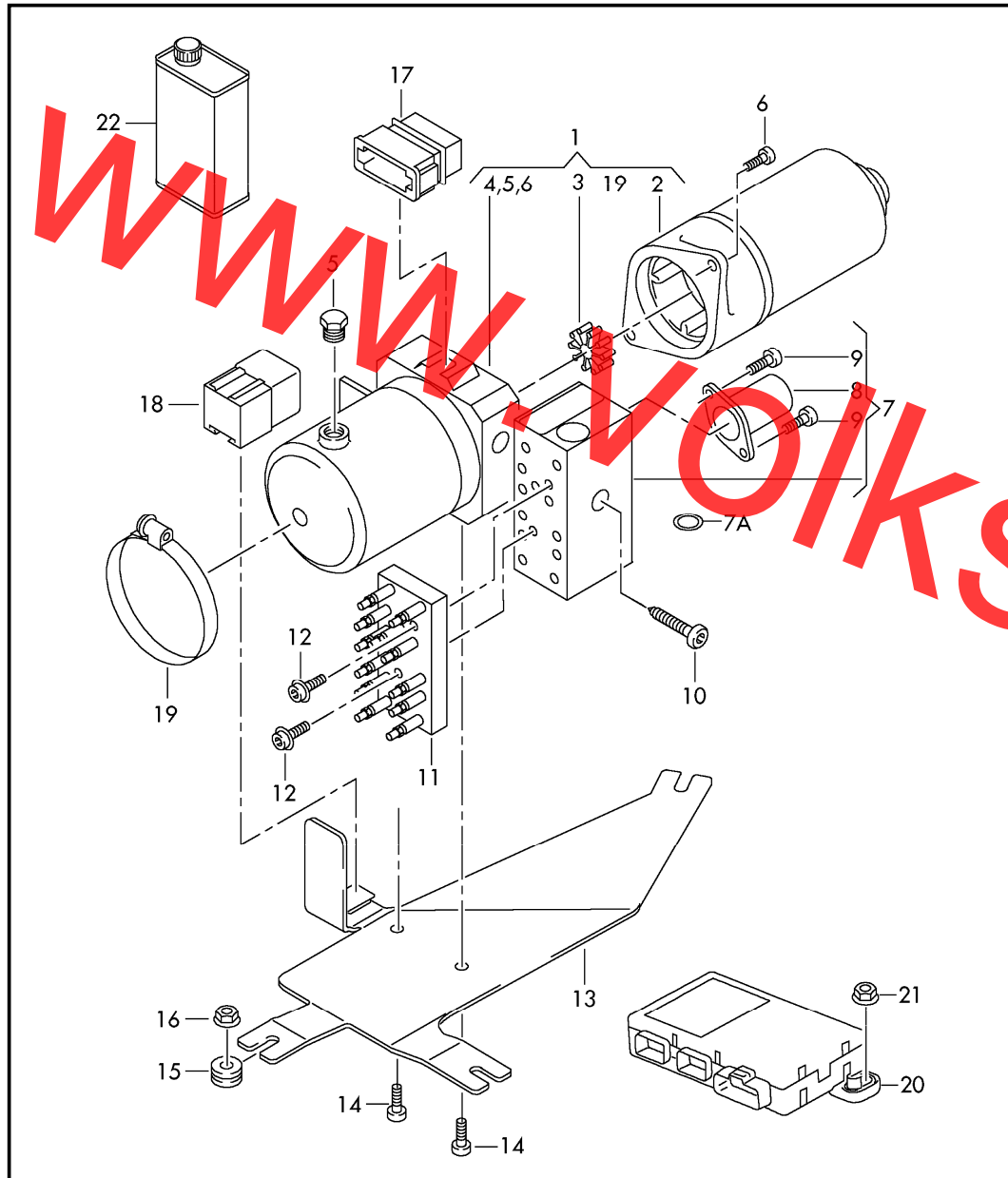


Pos	Part Number	Description	Remark	Qty	Model
		hydraulic system for actuating convertible roof			
1	8H0 871 795 B	hydraulic cylinder	left a. right	2	
2	8H0 871 603 B	hydraulic cylinder angled bracket	left upper	1	
3	8H0 871 605 A	hydraulic cylinder cabrio top stowage box cover	left	1	
4	8H0 871 729	protective cap hydraulic cylinder	left	1	
5	8H0 871 606 A	hydraulic cylinder cabrio top stowage box cover	right	1	
6	8H0 871 730	protective cap hydraulic cylinder	right	1	
7	8H0 871 604 B	hydraulic cylinder angled bracket	right upper	1	
8	8H0 871 799	securing bars hydraulic cylinder		2	
9	8H0 871 161	pivot pin		2	
10	8H0 871 793 A	feed- and return pipe in pairs	left	1	
11	8H0 871 794 A	feed- and return pipe in pairs	right	1	
12	8H0 871 607 A	feed- and return pipe in pairs angled bracket hydraulic cylinder	left	1	
13	8H0 871 608 A	feed- and return pipe in pairs angled bracket hydraulic cylinder	right	1	
14	8H0 871 619 A	feed- and return pipe in pairs cabrio top stowage box cover hydraulic cylinder	left	1	

III-No. 871-30	Model Audi A4/S4 Cabrio./qu.	Year 2003 - 2006	Restrictions	Spare parts order system	11:29	08.07.2011
-------------------	---------------------------------	---------------------	--------------	--------------------------	-------	------------

Pos	Part Number	Description	Remark	Qty	Model	Pos	Part Number	Description	Remark	Qty	Model
15	8H0 871 620 A	feed- and return pipe in pairs cabrio top stowage box cover hydraulic cylinder	right	1							
16	8L0 971 838	cable tie with bracket for plastic pin:	5X300 5	X							
17	8H0 898 800	1 set securing bars		2							
18	8H0 898 802 A	1 set securing clips		6							
19	8H0 898 803	1 set line holders		1							
20	N 906 426 01	o-ring	2,9X1,78	6							
21	N 906 437 01	cable tie with holder for weld pin:	10X187 5	1							
22	8H0 898 256	repair set for hydraulic cylinder fasteners F >> 8H-4-027 529		1							
(22)	8H0 898 256 B	repair set for hydraulic cylinder fasteners F 8H-4-027 530>>		1							
23	8H0 898 801	1 set circlips		1							

Ill-No. 871-35	Model Audi A4/S4 Cabrio./qu.	Year 2003 - 2006	Restrictions	Spare parts order system	11:30	08.07.2011
-------------------	---------------------------------	---------------------	--------------	--------------------------	-------	------------

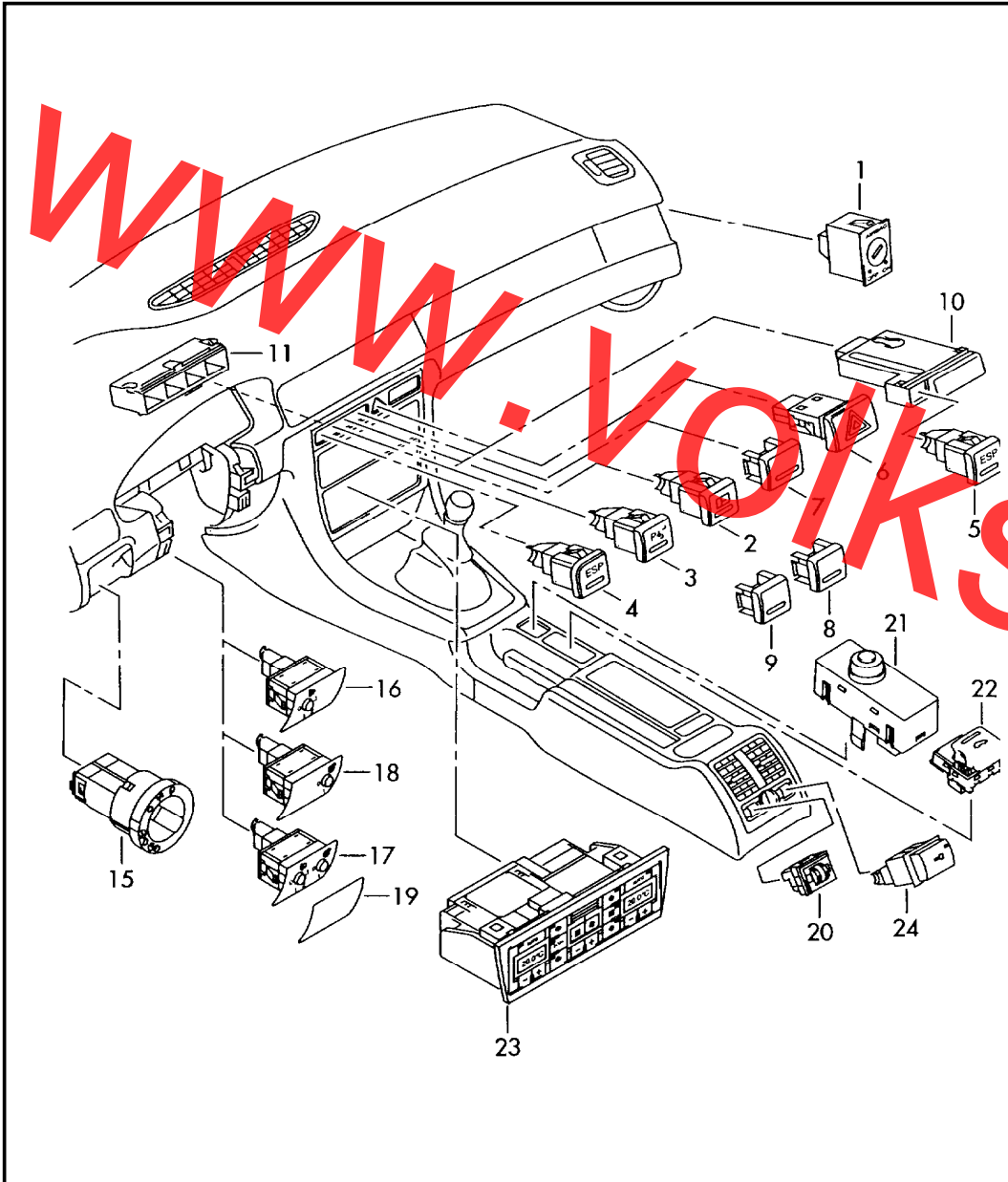


Pos	Part Number	Description	Remark	Qty	Model
1	8H0 959 247 B	hydraulic pump with electric motor control unit		1	
2	8H0 959 755 A	electric motor for hydraulic pump		1	
		use if required:	1E0 871 687	1	
3	1E0 871 687	drive for oil pump and o-ring electric motor		1	
4	8H0 898 101	repair set for oil reservoir		1	
5	8H0 871 807	seal bolt with sealing ring		1	
6	N 906 262 09	oval hexagon socket head bolt	M5X13,6	2	
7	8H0 871 806 D	solenoid valve block		1	
		use if required:	8H0 898 005	1	
7A	8H0 898 005	1 set: round seals for hydraulic pump		1	
8	8G0 871 808 A	solenoid valve		3	
9	N 102 854 02	hexagon socket head bolt	M6X15	6	
10	N 103 322 03	socket head bolt with inner multipoint head	M8X55	1	
11	8H0 871 412	connection plate for hydraulic pump		1	
12	N 909 308 02	hex socket head bolt (combi)	M6X16-S11	2	
13	8H0 871 751	support plate bracket for hydraulic pump		1	
14	N 102 854 02	hexagon socket head bolt	M6X15	2	
15	8H0 871 837	bonded rubber bush		3	
16	N 907 143 03	hex. nut with washer	M6	3	

Ill-No. 871-35	Model Audi A4/S4 Cabrio./qu.	Year 2003 - 2006	Restrictions	Spare parts order system	11:30	08.07.2011
-------------------	---------------------------------	---------------------	--------------	--------------------------	-------	------------

Pos	Part Number	Description	Remark	Qty	Model	Pos	Part Number	Description	Remark	Qty	Model
17	8H0 972 814	wire set for hydraulic pump		1							
18	8H0 951 253	contact close relay		2							
19	N 909 525 01	clamp	60-80X9	1							
20		control unit for convertible roof controls see illustration:	959-10								
21		fasteners control unit for convertible roof controls see illustration:	959-10								
22	G 004 000 M2	oil for hydraulic system and power steering	1,0ltr.	X							

III-No. 941-50	Model Audi A4/S4 Cabrio./qu.	Year 2003 - 2006	Restrictions	Spare parts order system	11:43	08.07.2011
-------------------	---------------------------------	---------------------	--------------	--------------------------	-------	------------



Pos	Part Number	Description	Remark	Qty	Model
1		switches in dashboard F >> 8H-4-050 000 F >> 8H-4-902 000			S4
		key switch for deactivating airbag			
		see illustration:	837-10		
2	8H1 919 281	switch parking aid	lhd	1	
	04/02-05/04 5PR	soul (black)			
(2)	8H2 919 281	switch parking aid	rhd	1	
	05/02-05/04 5PR	soul (black)			
3		no replacement part			
4	8H1 927 134 A	switch for electronic stabilisation program -esp-	lhd	1	PR-7X2
	04/02-05/04 5PR	soul (black)			
(4)	8H2 927 134 A	switch for electronic stabilisation program -esp-	rhd	1	PR-7X2
	05/02-05/04 5PR	soul (black)			
5	8H1 927 134	switch for electronic stabilisation program -esp-	lhd	1	
	04/02-05/04 5PR	soul (black)			
(5)	8H2 927 134	switch for electronic stabilisation program -esp-	rhd	1	
	05/02-05/04 5PR	soul (black)			
6	8H0 941 509	emergency light switch		1	
7	8H1 941 516	dummy cover	right lhd	1	
	04/02-05/04 5PR	soul (black)			
(7)	8H2 941 515	dummy cover	left rhd	1	
	05/02-05/04 5PR	soul (black)			
8		not replacement part for this model			

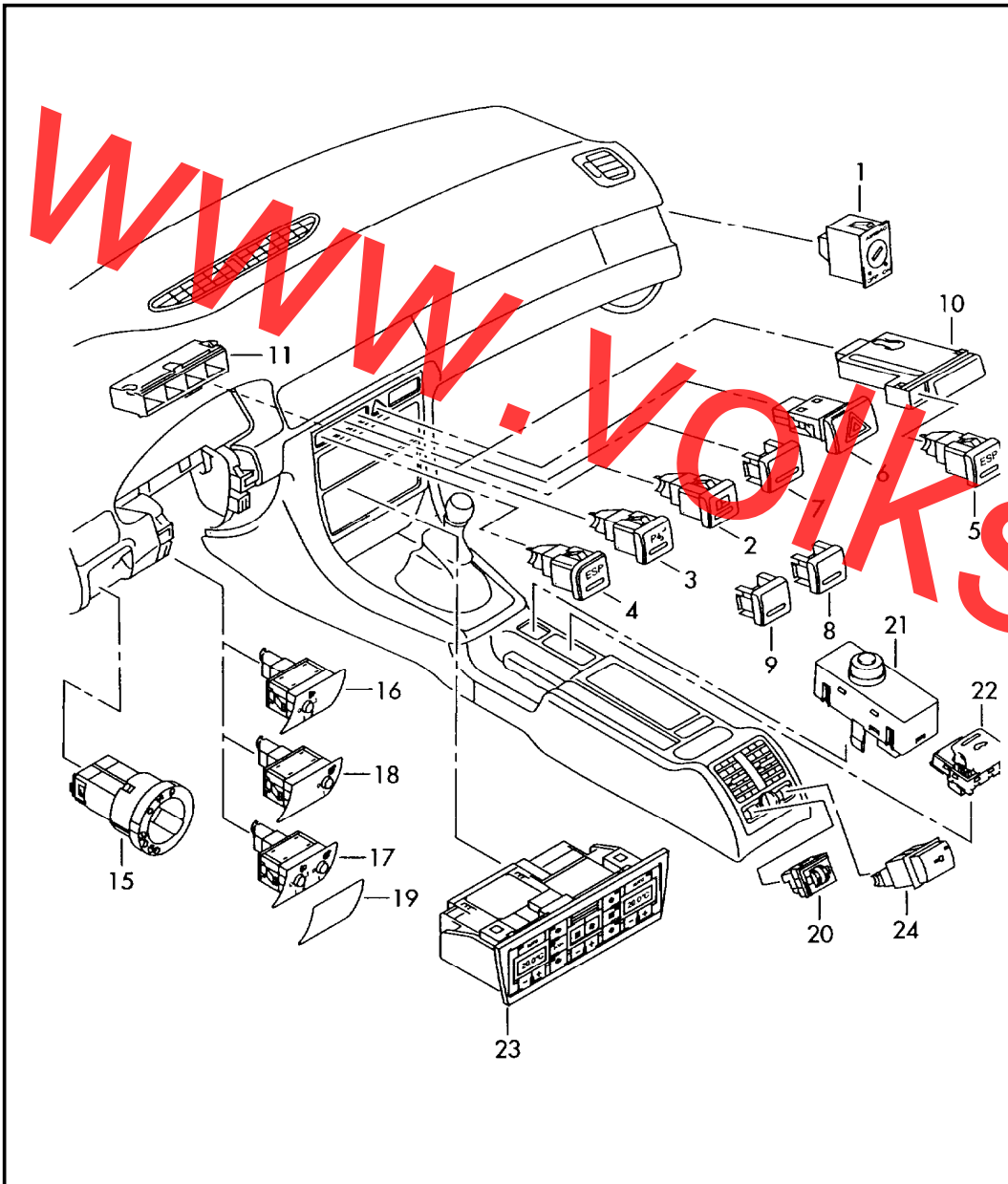
III-No. 941-50	Model Audi A4/S4 Cabrio./qu.	Year 2003 - 2006	Restrictions	Spare parts order system	11:43	08.07.2011
-------------------	---------------------------------	---------------------	--------------	--------------------------	-------	------------

Pos	Part Number	Description	Remark	Qty	Model	Pos	Part Number	Description	Remark	Qty	Model
9	8H1 941 515	dummy cover	center	1		16	8E1 919 094	switch for headlight range control	lhd	1	
	04/02-05/04 5PR	soul (black)					04/02-05/04 5PR	soul (black)			
(10)	8H1 941 561 A	stowage compartment	lhd	1		(16)	8E2 919 094	switch for headlight range control	rhd	1	
	04/02-05/04 5PR	soul (black)					05/02-05/04 5PR	soul (black)			
(10)	8H2 941 561 A	stowage compartment	rhd	1		17	8E1 919 094 A	switch for headlight range control and coming home	lhd	1	
	04/02-05/04 5PR	soul (black)					04/02-05/04 5PR	soul (black)			
11	8E1 941 567	switch mounting	lhd	1		(17)	8E2 919 094 A	switch for headlight range control and coming home	rhd	1	
	04/02-05/04 5PR	soul (black)					05/02-05/04 5PR	soul (black)			
(11)	8E2 941 567	switch mounting	rhd	1		18	8E1 919 094 B	switch for coming-home	lhd	1	
	05/02-05/04 5PR	soul (black)					04/02-05/04 5PR	soul (black)			
		switch for lighting with rheostat for panel lighting F >> 8H-4-050 000 F >> 8H-4-902 000			S4	(18)	8E2 919 094 B	switch for coming-home	rhd	1	
15	8E0 941 531	multiple switch for side lights, headlights, front and rear fog lights		1	PR-8K0+9Q3		05/02-05/04 5PR	soul (black)			
	04/02-05/04 5PR	soul (black)				19	8E1 919 508	cover	lhd	1	
(15)	8E0 941 531 A	multiple switch for side lights, headlights, front and rear fog lights		1	PR-8K0+9Q2, 9Q4		04/02-05/04 EC3	light platinum (grey)	-LF,MH		
	04/02-05/04 5PR	soul (black)					04/02-05/04 4QC	twist (beige)	-LE		
(15)	8E0 941 531 A	multiple switch for side lights, headlights, front and rear fog lights		1	PR-8K1+9Q2, 9Q3,9Q4	(19)	04/02-05/04 5PR	soul (black)	-LA,LL,LM,LN, MG,ML,MM,MN, QE,QL		
	04/02-05/04 5PR	soul (black)					04/02-05/04 6E5	indigo	-LJ,LP,MJ,MK		
(15)	8E0 941 531 B	multiple switch for automatic headlights, side lights, headlights, front and rear fog lights and coming-home		1	PR-8K3,8K7, 9C7		05/02-05/04 EC3	light platinum (grey)	-LF,MH		
	08/02-05/04 5PR	soul (black)					05/02-05/04 4QC	twist (beige)	-LE		
							05/02-05/04 5PR	soul (black)	-LA,LL,LM,LN, MG,ML,MM,MN, QE,QL		
							05/02-05/04 6E5	indigo	-LJ,LP,MJ,MK		

III-No. 941-50	Model Audi A4/S4 Cabrio./qu.	Year 2003 - 2006	Restrictions	Spare parts order system	11:43	08.07.2011
-------------------	---------------------------------	---------------------	--------------	--------------------------	-------	------------

Pos	Part Number	Description	Remark	Qty	Model	Pos	Part Number	Description	Remark	Qty	Model
		switch for vehicles with hydraulic top operation and switch for seat heating F >> 8H-4-050 000 F >> 8H-4-902 000			S4						
20	8E0 963 563	switch with rheostat for seat heating	rear	2							
	04/02-05/04 5PR	soul (black)									
21		see illustration:	920-00								
22	8H0 959 727 B	switch for vehicles with hydraulic top operation		1							
	04/02-05/04 5PR	soul (black)									
23		see illustration: operation and display unit for air-conditioning system climatronic	819-45								
		with: switch for seat heating * single parts no available *									
24		no replacement part									
24	8E0 962 107	safety switch for central locking system		1							
	09/02-05/04 5PR	soul (black)									

III-No. 941-55	Model Audi A4/S4 Cabrio./qu.	Year 2003 - 2006	Restrictions	Spare parts order system	11:42	08.07.2011
-------------------	---------------------------------	---------------------	--------------	--------------------------	-------	------------



Pos	Part Number	Description	Remark	Qty	Model
1		switches in dashboard F 8H-5-000 001>> F 8H-5-900 001>> key switch for deactivating airbag see illustration:	837-10		S4
2	8H1 919 234 A 06/04-12/05 5PR	control lamp for airbag soul (black)		1	lhd
(2)	8H2 919 234 A 06/04-12/05 5PR	control lamp for airbag soul (black)		1	rhd
3		no replacement part			
4	8H1 927 134 A 06/04-12/05 5PR	switch for electronic stabilisation program -esp soul (black)	lhd	1	PR-7X2
(4)	8H1 927 134 A 06/04-12/05 5PR	switch for electronic stabilisation program -esp soul (black)	lhd	1	PR-4UF
(4)	8H2 927 134 A 06/04-12/05 5PR	switch for electronic stabilisation program -esp soul (black)	rhd	1	PR-7X2
(4)	8H2 927 134 A 06/04-12/05 5PR	switch for electronic stabilisation program -esp soul (black)	rhd	1	PR-4UF
5	8H1 927 134 06/04-06/06 5PR	switch for electronic stabilisation program -esp soul (black)	lhd	1	
(5)	8H2 927 134 06/04-12/05 5PR	switch for electronic stabilisation program -esp soul (black)	rhd	1	
6	8H0 941 509	emergency light switch		1	
(7)	8H1 919 281 B	switch parking aid	lhd	1	

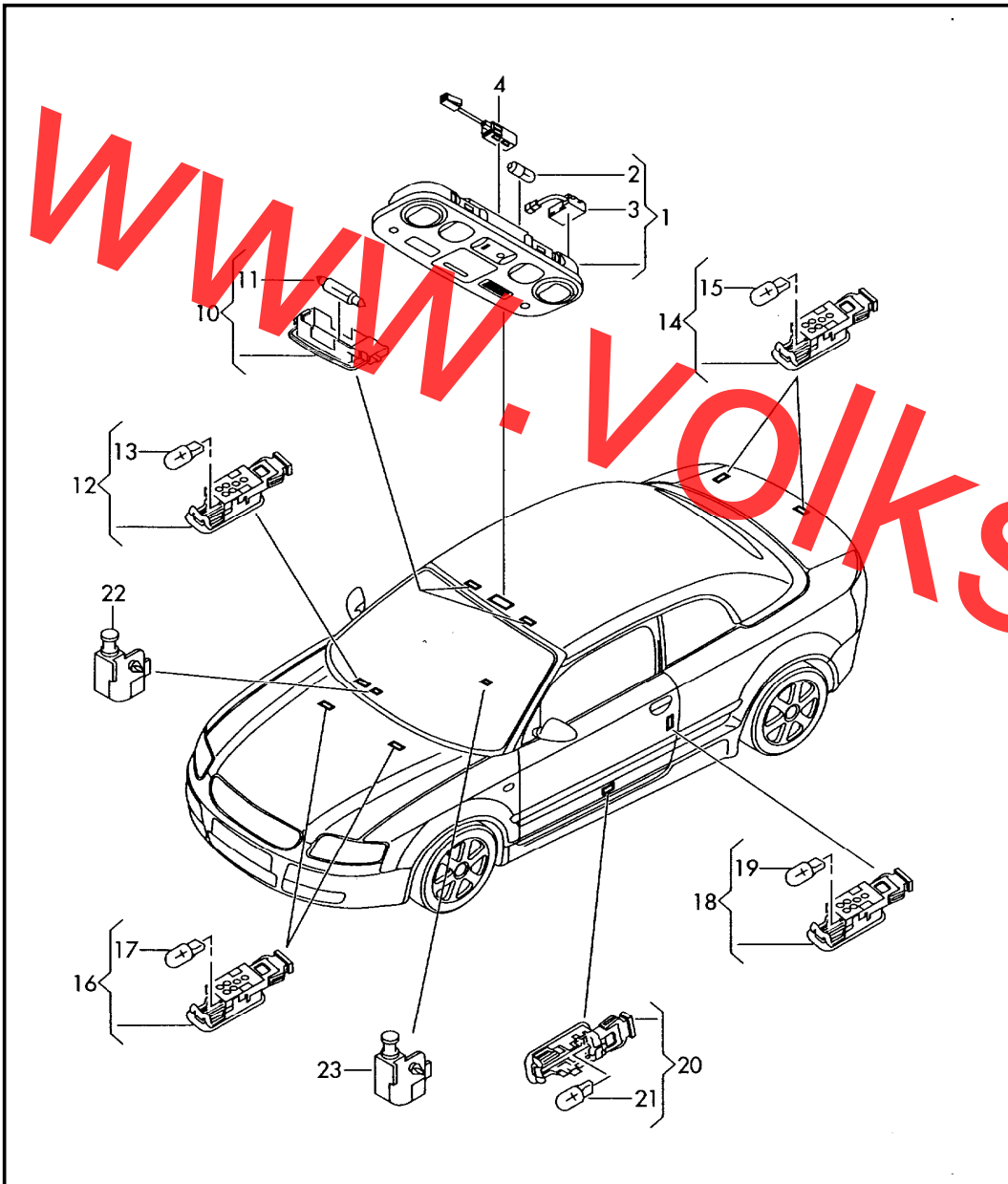
III-No. 941-55	Model Audi A4/S4 Cabrio./qu.	Year 2003 - 2006	Restrictions	Spare parts order system	11:42	08.07.2011
-------------------	---------------------------------	---------------------	--------------	--------------------------	-------	------------

Pos	Part Number	Description	Remark	Qty	Model	Pos	Part Number	Description	Remark	Qty	Model
	06/04-12/05 5PR	soul (black)					06/04-12/05 5PR	soul (black)			
(7)	8H2 919 281 B	switch parking aid	rhd	1		(11)	8E1 941 567	switch mounting	lhd	1	PR-4UF
	06/04-12/05 5PR	soul (black)					06/04-12/05 5PR	soul (black)			
(7)	8H1 941 516	dummy cover	right lhd	1		(11)	8E2 941 567	switch mounting	rhd	1	PR-7X2
	06/04-12/05 5PR	soul (black)					06/04-12/05 5PR	soul (black)			
(7)	8H2 941 515	dummy cover	left rhd	1		(11)	8E2 941 567	switch mounting	rhd	1	PR-4UF
	06/04-12/05 5PR	soul (black)					06/04-12/05 5PR	soul (black)			
8	8H1 941 518	dummy cover	lhd center, right	1				switch for lighting with rheostat for panel lighting F 8H-5-000 001>> F 8H-5-900 001>>			S4
	06/04-12/05 5PR	soul (black)				15	8E0 941 531	multiple switch for side lights, headlights, front and rear fog lights		1	PR-8K0+9Q3
(8)	8H2 941 518	dummy cover	rhd center, left	1			06/04-11/05 5PR	soul (black)			
	06/04-12/05 5PR	soul (black)				(15)	8E0 941 531 A	multiple switch for side lights, headlights, front and rear fog lights		1	PR-8K0+9Q2, 9Q4
9	8H1 941 515	dummy cover	lhd center, left	1	PR-7X2		06/04-11/05 5PR	soul (black)			
	06/04-12/05 5PR	soul (black)				(15)	8E0 941 531 A	multiple switch for side lights, headlights, front and rear fog lights		1	PR-8K1+9Q2, 9Q3,9Q4
(9)	8H2 941 516	dummy cover	rhd center, right	1	PR-7X2		06/04-11/05 5PR	soul (black)			
	06/04-12/05 5PR	soul (black)				(15)	8E0 941 531 A	multiple switch for side lights, headlights, front and rear fog lights		1	PR-8K0,8K1, 9C6
(9)	8H1 941 515	dummy cover	lhd center, left	1	PR-4UF		06/04-11/05 5PR	soul (black)			
	06/04-12/05 5PR	soul (black)				(15)	8E0 941 531 A	multiple switch for side lights, headlights, front and rear fog lights		1	
(9)	8H2 941 516	dummy cover	rhd center, right	1	PR-4UF		06/04-11/05 5PR	soul (black)			
	06/04-12/05 5PR	soul (black)				(15)	8E0 941 531 B	multiple switch for automatic headlights, side lights, headlights, front and rear fog lights and coming-home		1	
(10)	8H1 941 561 A	stowage compartment	left lhd	1			06/04-11/05 5PR	soul (black)			
	06/04-06/06 5PR	soul (black)				(15)	8E0 941 531 B	multiple switch for automatic headlights, side lights, headlights, front and rear fog lights and coming-home		1	
(10)	8H2 941 561 A	stowage compartment	rhd	1			06/04-11/05 5PR	soul (black)			
	06/04-12/05 5PR	soul (black)									
11	8E1 941 567	switch mounting	lhd	1	PR-7X2						

III-No. 941-55	Model Audi A4/S4 Cabrio./qu.	Year 2003 - 2006	Restrictions	Spare parts order system	11:42	08.07.2011
-------------------	---------------------------------	---------------------	--------------	--------------------------	-------	------------

Pos	Part Number	Description	Remark	Qty	Model	Pos	Part Number	Description	Remark	Qty	Model
16	8E1 919 094	switch for headlight range control	lhd	1							
	06/04-06/06 5PR	soul (black)						switch for vehicles with hydraulic top operation and switch for seat heating F 8H-5-000 001>> F 8H-5-900 001>>			S4
(16)	8E2 919 094	switch for headlight range control	rhd	1							
	06/04-12/05 5PR	soul (black)									
17	8E1 919 094 A	switch for headlight range control and coming home	lhd	1		20	8E0 963 563	switch with rheostat for seat heating	rear	2	
	06/04-06/06 5PR	soul (black)					06/04-06/06 5PR	soul (black)			
(17)	8E2 919 094 A	switch for headlight range control and coming home	rhd	1		21		see illustration:	920-00		
	06/04-12/05 5PR	soul (black)				22	8H0 959 727 B	switch for vehicles with hydraulic top operation		1	
18	8E1 919 094 B	switch for coming-home	lhd	1			06/04-06/06 5PR	soul (black)			
	06/04-06/06 5PR	soul (black)				23		see illustration:	819-45		
(18)	8E2 919 094 B	switch for coming-home	rhd	1				operation and display unit for air-conditioning system climatronic with: switch for seat heating * single parts no available *			
	06/04-12/05 5PR	soul (black)				24		no replacement part			
19	8E1 919 508	cover	lhd	1		24	8E0 962 107	safety switch for central locking system		1	
	06/04-06/06 EC3	light platinum (grey)	-LF,MH,NQ				06/04-06/06 5PR	soul (black)			
	06/04-12/05 4QC	twist (beige)	-LE								
	06/04-06/06 5PR	soul (black)	-LA,LL,LM,LN, MG,ML,MM,MN, QE,QL,HJ,NK, ZM,ZQ,ZU								
	06/04-12/05 6E5	indigo	-LJ,LP,MJ,MK								
(19)	8E2 919 508	cover	rhd	1							
	06/04-12/05 EC3	light platinum (grey)	-LF,MH								
	06/04-12/05 4QC	twist (beige)	-LE								
	06/04-12/05 5PR	soul (black)	-LA,LL,LM,LN, MG,ML,MM,MN, QE,QL,ZM,ZQ, ZU								
	06/04-12/05 6E5	indigo	-LJ,LP,MJ,MK								

III-No. 947-00	Model Audi A4/S4 Cabrio./qu.	Year 2003 - 2006	Restrictions	Spare parts order system	11:54	08.07.2011
-------------------	---------------------------------	---------------------	--------------	--------------------------	-------	------------



Pos	Part Number	Description	Remark	Qty	Model
1	8H0 947 111 G	interior and reading light	VORNE	1	
	04/02-05/04 26Z	swing (dark grey)	-LF,MH		
	04/02-05/04 4D9	indigo	-LJ,LP,MJ,MK		
	04/02-05/04 4QC	twist (beige)	-LE		
	04/02-05/04 6PS	soul (black)	-LA,LL,LM,LN, MG,ML,MM,MN, QE,QL		
(1)	8H0 947 111 E	interior and reading light for models with the possibility of deactivating the front passenger airbag			
	04/02-05/04 26Z	swing (dark grey)	-LF,MH		
	04/02-05/04 4D9	indigo	-LJ,LP,MJ,MK		
	04/02-05/04 4QC	twist (beige)	-LE		
	04/02-05/04 6PS	soul (black)	-LA,LL,LM,LN, MG,ML,MM,MN, QE,QL		
(1)	8H0 947 111 B	interior and reading light for models with telematics		1	
	04/02-10/03 26Z	swing (dark grey)	-LF,MH		
	04/02-10/03 4D9	indigo	-LJ,LP,MJ,MK		
	04/02-10/03 4QC	twist (beige)	-LE		
	04/02-10/03 6PS	soul (black)	-LA,LL,LM,LN, MG,ML,MM,MN, QE,QL		
(1)	8H0 947 111 D	interior and reading light for vehicles with telematic and means of deactivating the front passengers airbag			
	04/02-10/03 26Z	swing (dark grey)	-LF,MH		
	04/02-10/03 4D9	indigo	-LJ,LP,MJ,MK		
	04/02-10/03 4QC	twist (beige)	-LE		

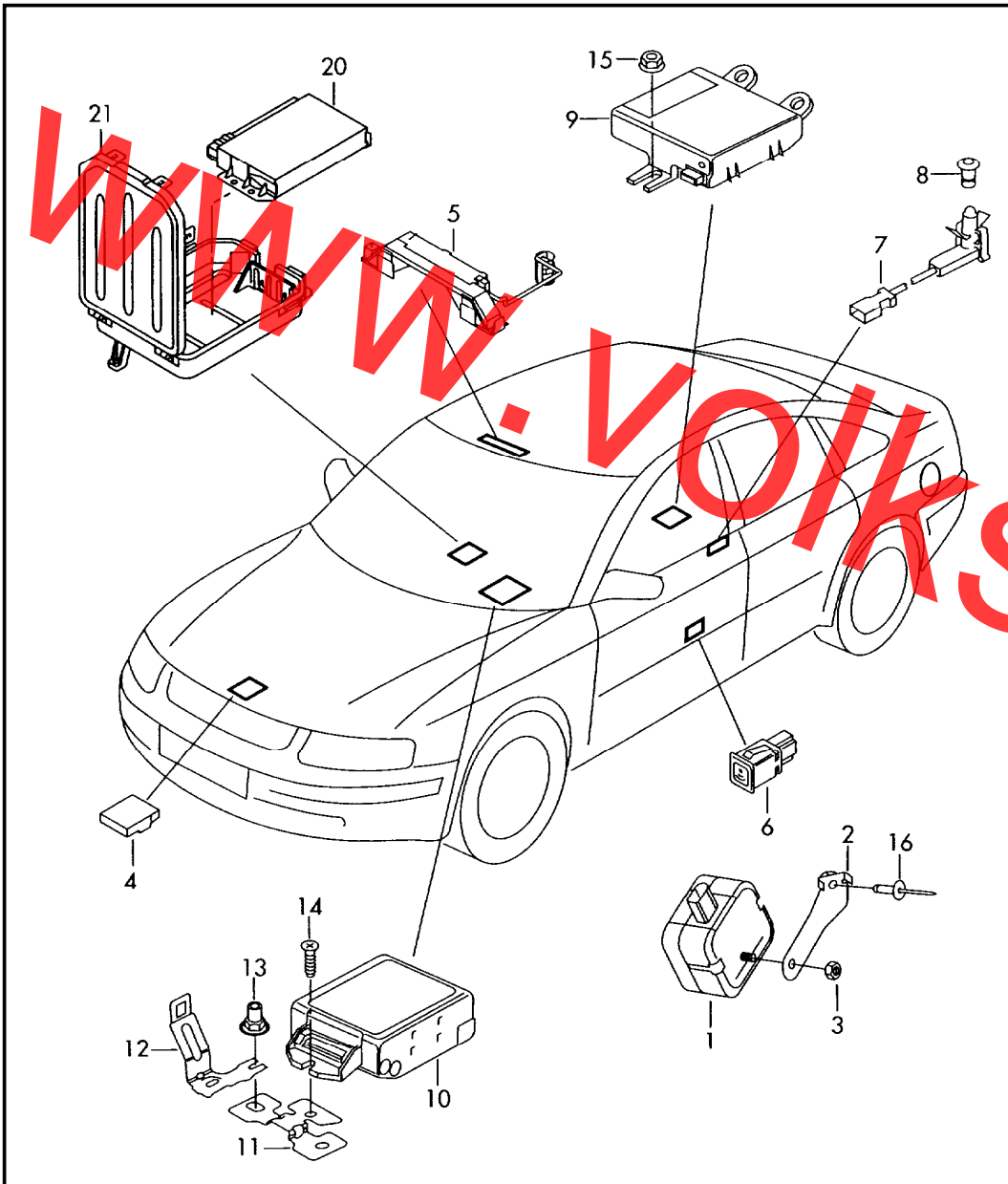
III-No. 947-00	Model Audi A4/S4 Cabrio./qu.	Year 2003 - 2006	Restrictions	Spare parts order system	11:54	08.07.2011
-------------------	---------------------------------	---------------------	--------------	--------------------------	-------	------------

Pos	Part Number	Description	Remark	Qty	Model	Pos	Part Number	Description	Remark	Qty	Model
	04/02-10/03 6PS	soul (black)	-LA,LL,LM,LN, MG,ML,MM,MN, QE,QL					luggage compartment light			
(1)	8H0 947 111 L	interior and reading light		1		14	4B0 947 415 A	light		1	
	06/04-12/05 26Z	swing (dark grey)	-LF,MH	1		15	N 017 753 2	bulb	W5W-12V5W	1	
	06/04-12/05 4D9	indigo	-LJ,LP	1				footwell light			
	06/04-12/05 4QC	twist (beige)	-LE	1		16	4B0 947 415 A	light		2	
	06/04-12/05 6PS	soul (black)	-LA,LL,LM,LN, MG,ML,MM,MN, QE,QL,ZM,ZO, ZU	1		17	N 017 753 2	bulb	W5W-12V5W	2	
							- 8E0 947 113 A	bracket		1	
-	8H0 947 143	clamping frame microphone		1			04/02-06/06 6PS	soul (black)			
2	N 900 349 01	bulb	T4W-12V5W	2				door warning light			
3		control panel for models with telematics see illustration:	035-65			18	6Y0 947 411	door warning light F >> 8H-3-050 000	red	2	
4		microphone for hands- free device see illustration:	035-50 035-55		PR-9ZJ,9ZH PR-9ZF	18	6Y0 947 411	door warning light F 8H-4-000 001>>	red	2	PR-QQ1
		vanity light				(18)	8P0 947 412	rear light reflector F 8H-4-000 001>>	red	2	PR-QQ0
10	3B0 947 109	light		2		19	N 017 753 2	bulb	W5W-12V5W	2	
	04/02-06/06 85H	crystal clear						entry light			
11	N 017 725 2	bulb	C5W-12V5W	2		20	4B0 947 415 A	light	white	1	
		glove compartment lid light				21	N 017 753 2	bulb	W5W-12V5W	1	
12	4B0 947 415 A	light		1				switch for glove box lid light			
(12)	8E0 947 415	light	clear glass	1	PR-1W1	(22)		see illustration:	857-20		
13	N 017 753 2	bulb	W5W-12V5W	1				switch for handbrake warning light			
(13)	N 017 752 2	bulb	W3W-12V3W	1	PR-1W1	23	1H0 947 561 A	switch		1	

Ill-No. 947-00	Model Audi A4/S4 Cabrio./qu.	Year 2003 - 2006	Restrictions	Spare parts order system	11:54	08.07.2011
-------------------	---------------------------------	---------------------	--------------	--------------------------	-------	------------

Pos	Part Number	Description	Remark	Qty	Model	Pos	Part Number	Description	Remark	Qty	Model
		light emitting diode door handle, inner									
	- 4D0 919 063 A	light emitt.diode with bracket		2							
		ashtray light									
	- 8P0 919 063	light emitt.diode with bracket		1							

III-No. 951-10	Model Audi A4/S4 Cabrio./qu.	Year 2003 - 2006	Restrictions	Spare parts order system	11:51	08.07.2011
-------------------	---------------------------------	---------------------	--------------	--------------------------	-------	------------

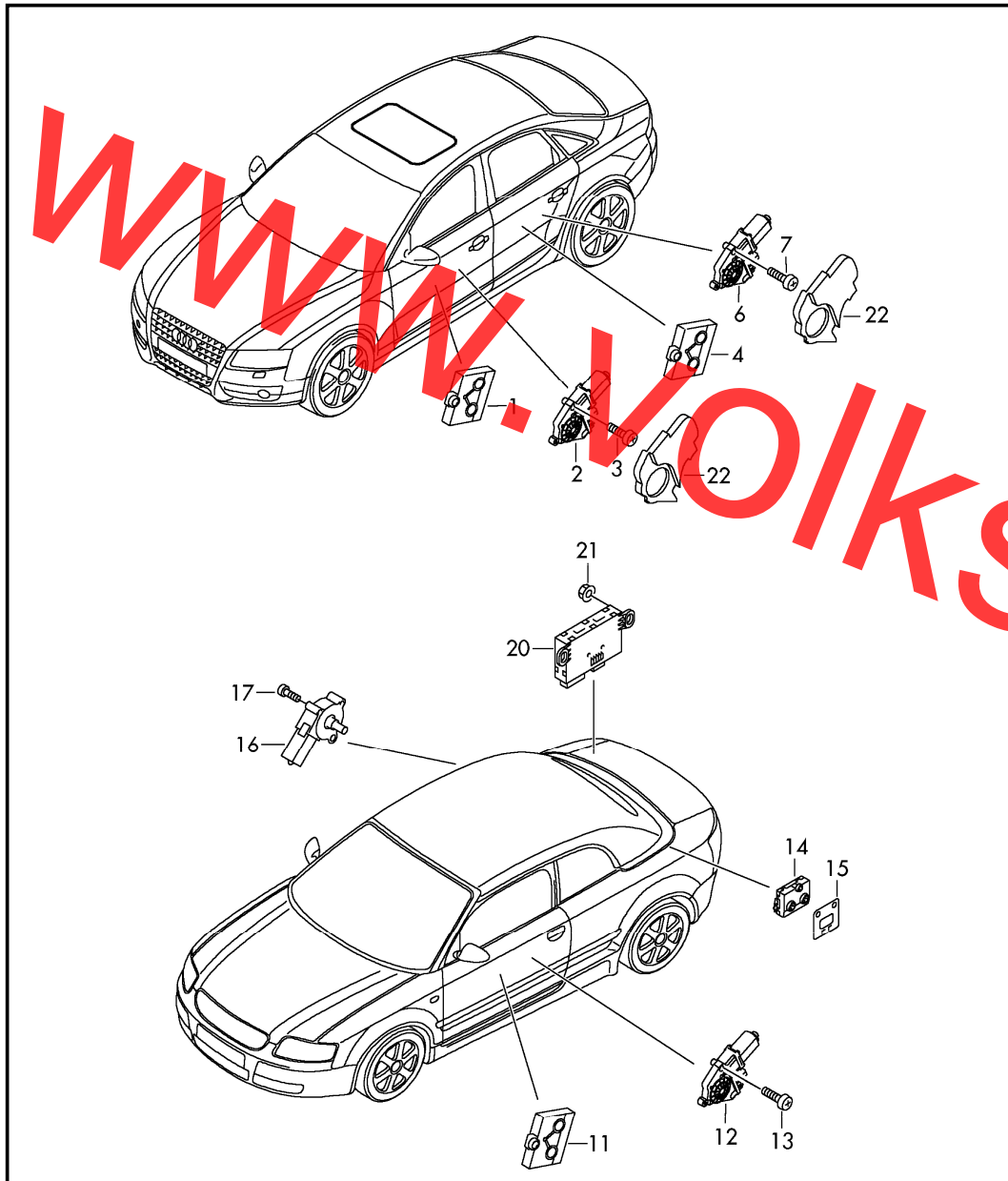


Pos	Part Number	Description	Remark	Qty	Model
(1)	8L0 951 605 A	anti-theft alarm system electronic siren for anti-theft alarm system also use: F >> 8H-4-004 000*	8H0 951 285 B N 104 355 07	1	
(1)	8L0 951 605 A	electronic siren for anti-theft alarm system F 8H-4-004 001>>*		1	
2	8H0 951 285 A	bracket F >> 8H-4-004 000*		1	
(2)	8H0 951 285 B	bracket F 8H-4-004 001>>*		1	
3	N 021 176 1	hexagon nut, shouldered F >> 8H-4-004 000*	M6	1	
(3)	N 104 355 07	shouldered hex. nut, self-locking F 8H-4-004 001>>*	M8	1	
(4)	8E0 953 236	micro switch lid lock	front	1	
5		no replacement part			
6	8E1 962 109	button for deactivation of anti-theft alarm system and tow-away protection for models with interior monitor	lhd	1	
(6)	8E2 962 109	button for deactivation of anti-theft alarm system and tow-away protection for models with interior monitor	rhd	1	
(6)	8E2 962 109 A	button for deactivation of anti-theft alarm system and tow-away protection	rhd	1	"J.."

III-No. 951-10	Model Audi A4/S4 Cabrio./qu.	Year 2003 - 2006	Restrictions	Spare parts order system	11:51	08.07.2011
-------------------	---------------------------------	---------------------	--------------	--------------------------	-------	------------

Pos	Part Number	Description	Remark	Qty	Model	Pos	Part Number	Description	Remark	Qty	Model
	04/02-12/05 5PR	soul (black)		1		(20)	8H0 959 433 L	central control unit for convenience system		1	PR-5D2,5D3,5D4
(6)	8E1 959 831	push button for electric lid lock actuator	lhd	1				F 8H-3-002 001>>*			
	04/02-06/06 5PR	soul (black)		1		21	8E0 927 355	housing for control unit		1	
7	8N0 919 238	warning lamp for anti-theft alarm system		2							
8	8Z0 919 242	sleeve		1							
	04/02-06/06 4PK	soul (black)		1							
9	8H0 951 178	movement detector	rear	1							
10	8H0 951 177	movement detector	front	1							
11	8H0 951 124 B	bracket	front	1							
12	8H0 951 123	bracket		1							
13	171 201 969	hexagon nut, shouldered	5	1							
14	N 014 129 13	oval-head bolt, self-locking	M5X10	1							
15	8E0 825 265 C	hexagon nut, shouldered		1							
16	N 904 279 01	pop rivet	4X6	1							
		F >> 8H-2-001 500*		1							
(16)	N 908 976 04	oval hexagon socket head bolt	M5X9,7	1							
		F 8H-2-001 501>>*		1							
		central control unit for convenience system									
20	8H0 959 433 B	central control unit for convenience system		1	PR-5D1						
		F >> 8H-3-005 000*									
(20)	8H0 959 433 M	central control unit for convenience system		1	PR-5D1						
		F 8H-3-005 001>>*									
		F 8H-4-900 001>>									
(20)	8H0 959 433 A	central control unit for convenience system		1	PR-5D2,5D3,5D4						
		F >> 8H-3-002 000*									

III-No. 959-10	Model Audi A4/S4 Cabrio./qu.	Year 2003 - 2006	Restrictions	Spare parts order system	11:41	08.07.2011
-------------------	---------------------------------	---------------------	--------------	--------------------------	-------	------------

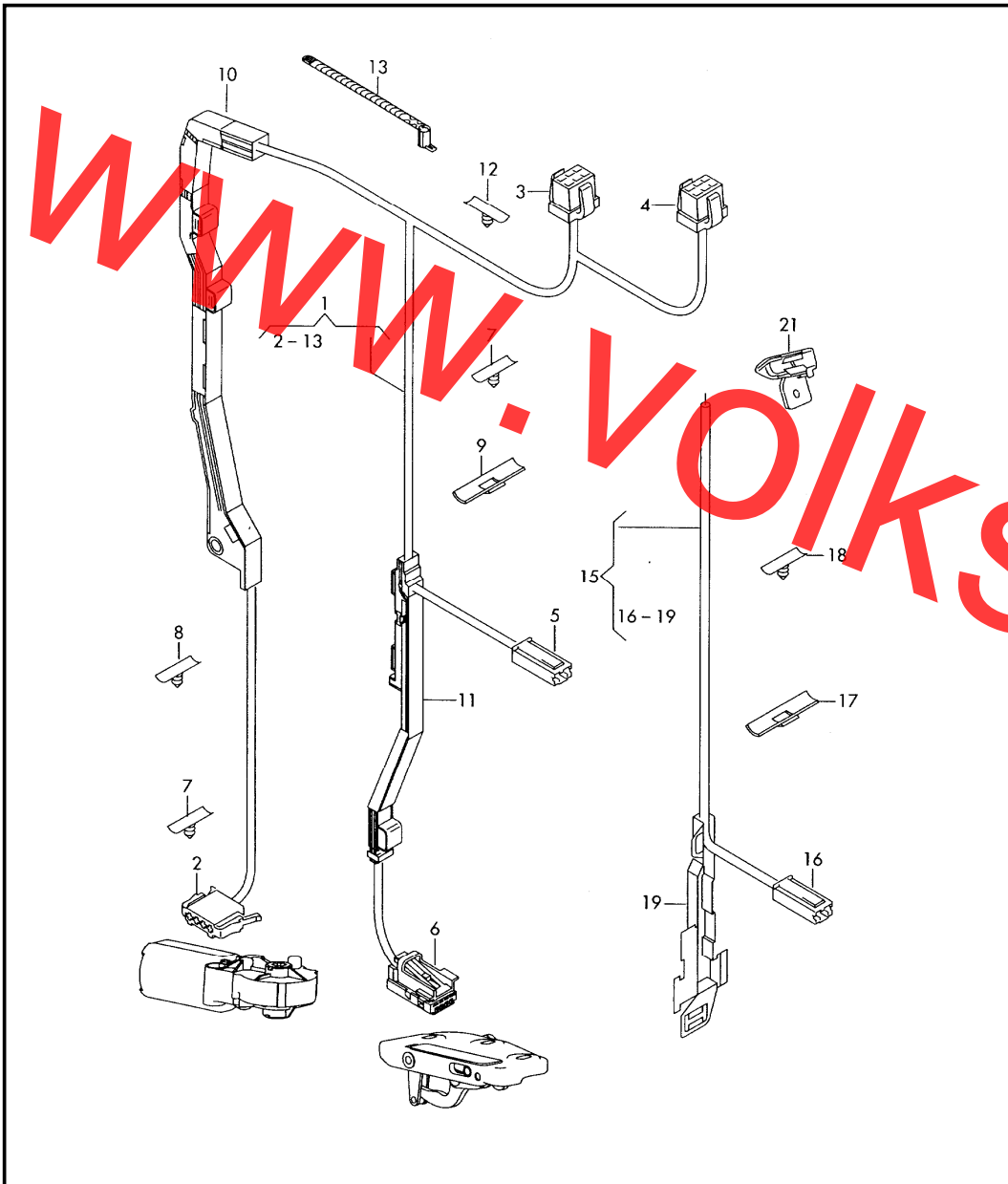


Pos	Part Number	Description	Remark	Qty	Model
		door control unit window regulator motor	front		
11		door control unit included at item:	12		
12	8H1 959 801 F	window regulator motor F >> 8H-5-000 244* F >> 8H-5-900 011*	left lhd	1	
(12)	8H1 959 801 D	window regulator motor F 8H-5-000 245>>* F 8H-5-900 012>>*	left lhd	1	
(12)	8H2 959 801	window regulator motor F >> 8H-5-000 244* F >> 8H-5-900 011*	left rhd	1	
(12)	8H2 959 801 D	window regulator motor F 8H-5-000 245>>* F 8H-5-900 012>>*	left rhd	1	
(12)	8H1 959 802 F	window regulator motor F >> 8H-5-000 244* F >> 8H-5-900 011*	right lhd	1	
(12)	8H1 959 802 D	window regulator motor F 8H-5-000 245>>* F 8H-5-900 012>>*	right lhd	1	
(12)	8H2 959 802 F	window regulator motor F >> 8H-5-000 244* F >> 8H-5-900 011*	right rhd	1	
(14)	8H2 959 802 D	window regulator motor F 8H-5-000 245>>* F 8H-5-900 012>>*	right rhd	1	
13	8Z0 837 691 C	hexagon socket head panel bolt	5X15	3	
		window regulator motor	rear		
16	8H0 959 801 A	window regulator motor	left rear	1	
(16)	8H0 959 802 A	window regulator motor	right rear	1	
17	1J0 959 821	hexagon socket head bolt	6X15	3	

III-No. 959-10	Model Audi A4/S4 Cabrio./qu.	Year 2003 - 2006	Restrictions	Spare parts order system		11:41	08.07.2011
-------------------	---------------------------------	---------------------	--------------	--------------------------	--	-------	------------

Pos	Part Number	Description	Remark	Qty	Model	Pos	Part Number	Description	Remark	Qty	Model
20	8H0 959 255 B	control unit for convertible roof controls	right rear	1							
21	N 015 082 13	control unit for convertible roof controls for vehicles with hydraulic top operation hexagon nut, shouldered	M6	2							

III-No. 972-45	Model Audi A4/S4 Cabrio./qu.	Year 2003 - 2006	Restrictions	Spare parts order system	11:38	08.07.2011
-------------------	---------------------------------	---------------------	--------------	--------------------------	-------	------------



Pos	Part Number	Description	Remark	Qty	Model
1	8H0 972 387 D	wiring set for soft top catch		1	
2	893 971 635	individual parts flat contact housing connecting part electric motor	5 pin	1	
3	8D0 937 731 A	flat contact housing with retainer guide coupling element central wiring set	6 pin brown	1	
4	8D0 937 731	flat contact housing with retainer guide coupling element central wiring set	6 pin black	1	
5	6N0 971 921	flat contact housing connecting part for rear window, heated	1 pin	1	
6	8K0 973 754	flat contact housing connecting part soft top catch	4 pin black	1	
7	4B0 971 848	cable holder hole/sheet metal thickness:	6,5/0,6-3MM	X	
(8)	8H0 971 848 A	cable holder		X	
9	4B0 971 848 H	cable holder		X	
10	8H0 971 341 H	guide piece		1	
11	8H0 971 341 E	guide piece		1	
12	4B0 971 848	cable holder hole/sheet metal thickness:	6,5/0,6-3MM	X	
13	N 906 437 01	cable tie with holder for weld pin:	10X187MM 5MM	1	

Ill-No. 972-45	Model Audi A4/S4 Cabrio./qu.	Year 2003 - 2006	Restrictions	Spare parts order system	11:38	08.07.2011
-------------------	---------------------------------	---------------------	--------------	--------------------------	-------	------------

Pos	Part Number	Description	Remark	Qty	Model	Pos	Part Number	Description	Remark	Qty	Model
15	8H0 971 211 A	wiring harness for heated rear window		1							
16	6N0 971 921	individual parts flat contact housing	1 pin	1							
17	4B0 971 848 H	cable holder		X							
18	4B0 971 848	cable holder hole/sheet metal thickness:	6,5/0,6-3MM	X							
19		cable guide no replacement part		1							
21	8H0 971 848 B	fasteners cable holder		1							