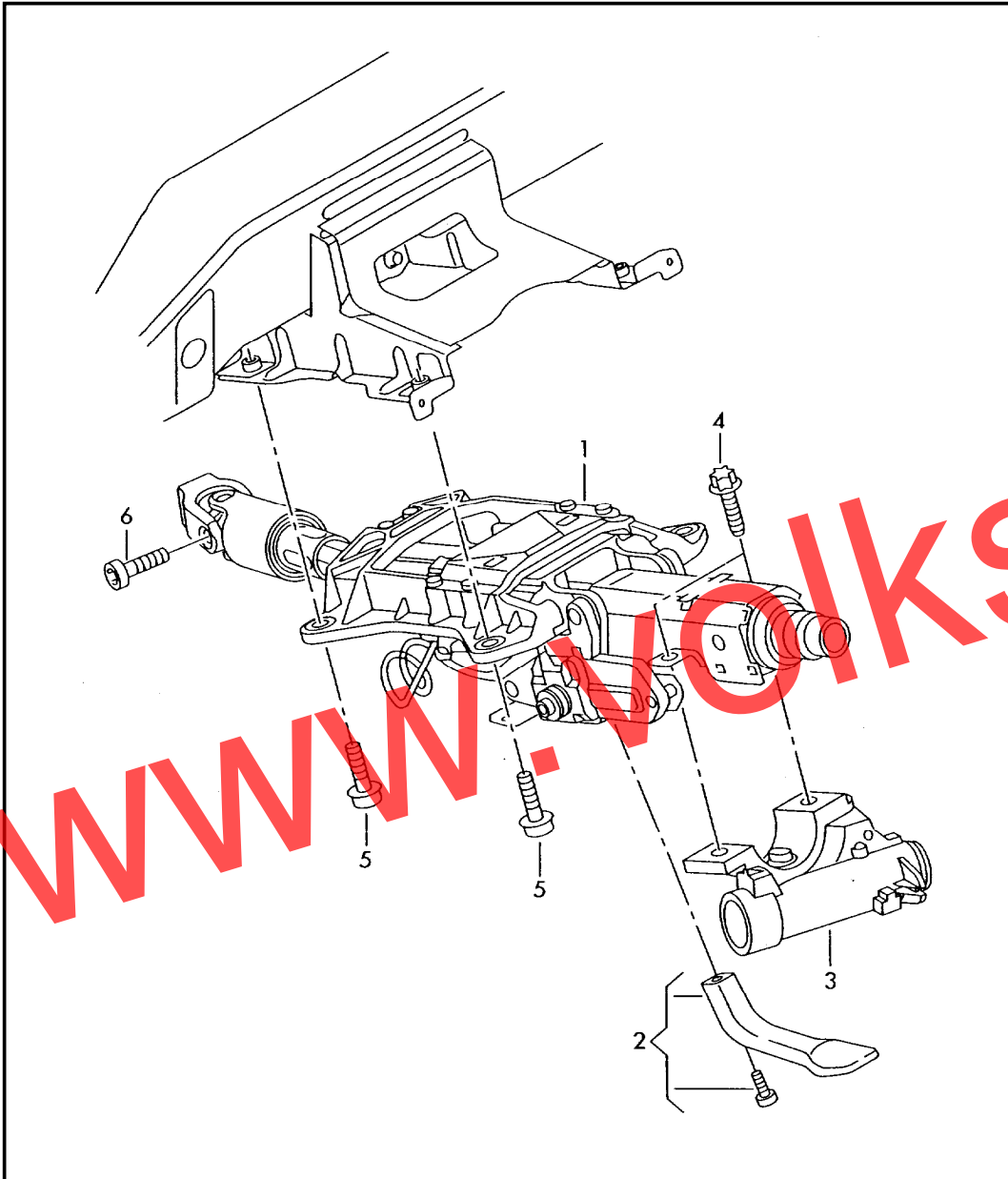
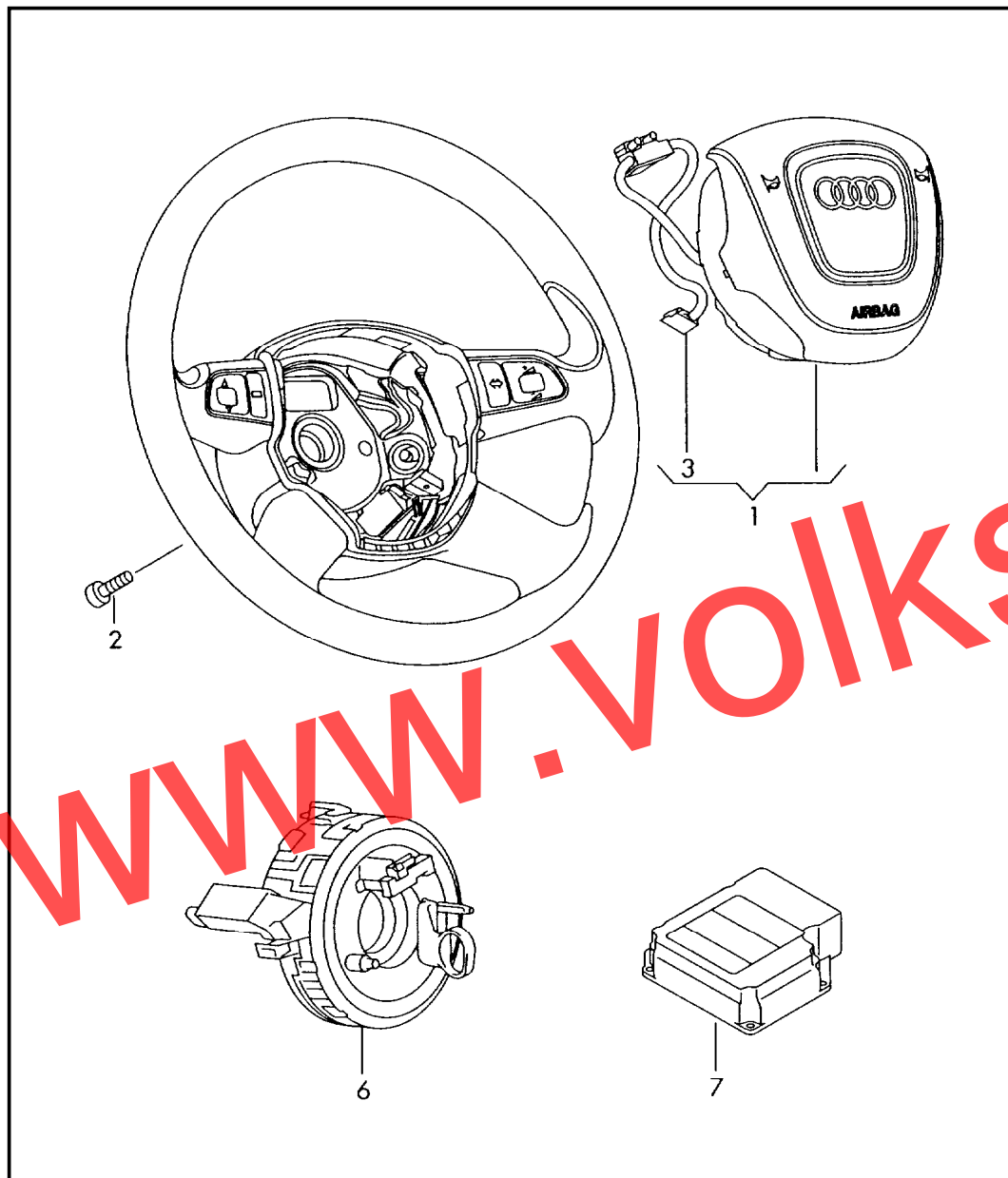


III-No. 419-35	Model Audi A4/S4 Cabrio./qu.	Year 2007 - 2009	Restrictions	Spare parts order system	15:43	08.07.2011
-------------------	---------------------------------	---------------------	--------------	--------------------------	-------	------------



Pos	Part Number	Description	Remark	Qty	Model
1	8E0 419 502 N	steering column		1	"AUS"
(1)	8E0 419 502 H	steering column		1	
2	8E0 419 378 A	handle		1	
3		steering lock with ignition/ starter switch without lock cylinder			
		see illustration:	905-80		
4	N 905 845 02	sheer bolt	M8X20	2	
5	N 911 422 01	socket head collared bolt with inner multipoint head	M8X28	4	
6	N 014 726 7	allen key head bolt	M8X30		
		F >> 8H-7-010 800		1	
		F >> 8H-7-905 000			
(6)	N 105 184 04	socket head bolt with inner multipoint head	M8X30		
		F 8H-7-010 801>>		1	
		F 8H-7-905 001>>			

III-No. 880-00	Model Audi A4/S4 Cabrio./qu.	Year 2007 - 2009	Restrictions	Spare parts order system	15:46	08.07.2011
-------------------	---------------------------------	---------------------	--------------	--------------------------	-------	------------

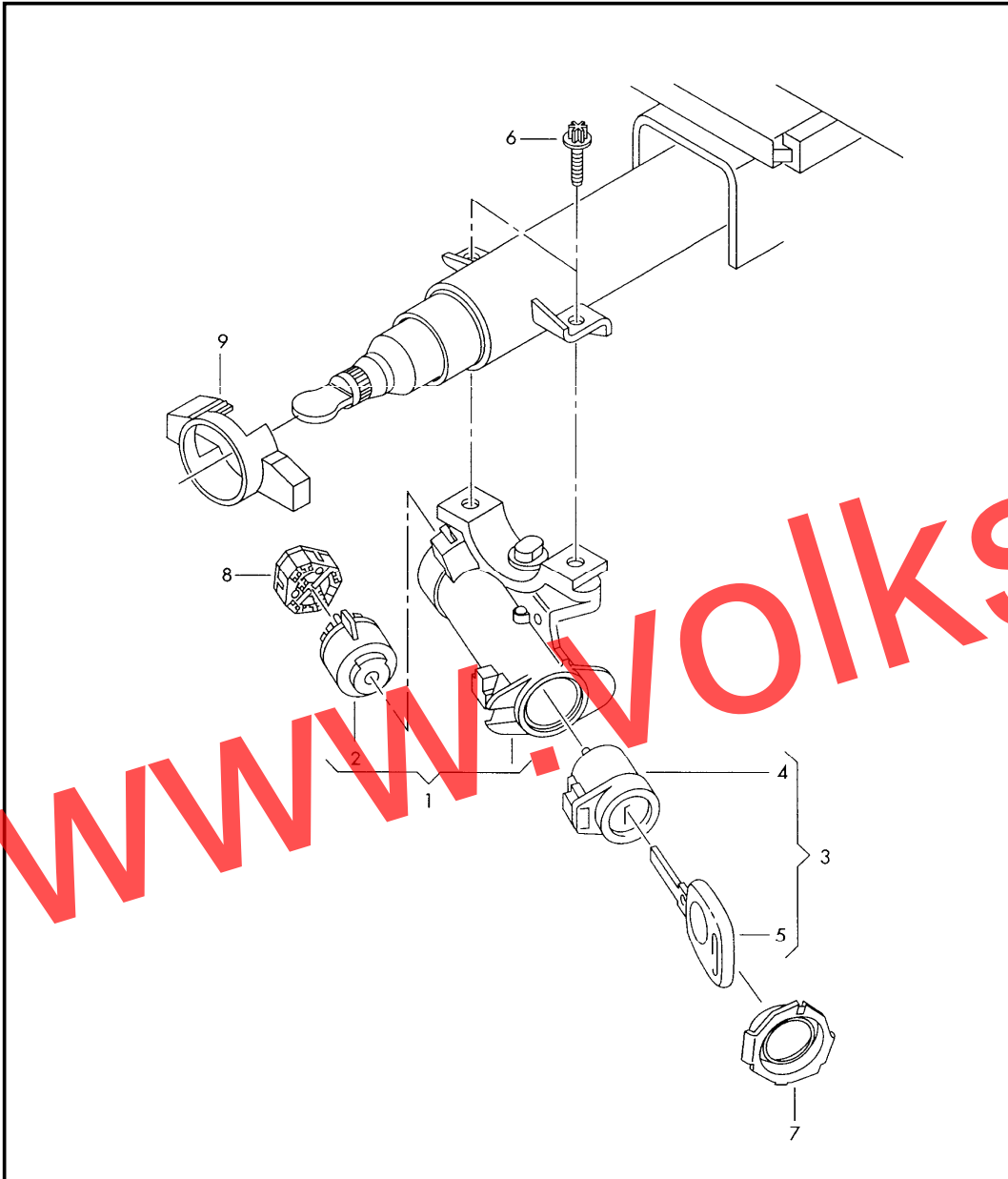


Pos	Part Number	Description	Remark	Qty	Model
1	8H0 880 201 H	airbag unit for steering wheel **** caution hazardous ***** see workshop manual		1	PR-1MR,2PG
	01/06-03/09 1DH	agate grey	-NQ,HD		
	01/06-03/09 1GK	kamut beige	-NR		
	01/06-03/09 4D9	indigo	-HK,HL,HM,HN, MF,MJ		
	01/06-03/09 6PS	soul (black)	-HE,HF,HG,HH, HJ,MG,MM,NK, ZM,ZQ,ZU		
(1)	8H0 880 201 J	airbag unit for steering wheel ** only order for ** ** immediate installation **		1	PR-A8S+2ZQ, 2ZS
	01/06-03/09 1DH	agate grey	-NQ,HD		
	01/06-03/09 1GK	kamut beige	-NR		
	01/06-03/09 4D9	indigo	-HK,HL,HM,HN, MF,MJ		
	01/06-03/09 6PS	soul (black)	-HE,HF,HG,HH, HJ,MG,MM,NK, ZM,ZQ,ZU		
(1)	8H0 880 201 Q	airbag unit for steering wheel ** only order for ** ** immediate installation **		1	PR-A8U+2ZQ, 2ZS
	01/06-03/09 1DH	agate grey	-NQ,HD		
	01/06-03/09 1GK	kamut beige	-NR		
	01/06-03/09 6PS	soul (black)	-HE,HF,HG,HH, HJ,MG,MM,NK, ZM,ZQ,ZU		
(1)	8H0 880 201 K	airbag unit for steering wheel ** only order for ** ** immediate installation **		1	PR-1ML,2PL, 2PV
	01/06-03/09 1DH	agate grey	-NQ,HD		

III-No. 880-00	Model Audi A4/S4 Cabrio./qu.	Year 2007 - 2009	Restrictions	Spare parts order system	15:46	08.07.2011
-------------------	---------------------------------	---------------------	--------------	--------------------------	-------	------------

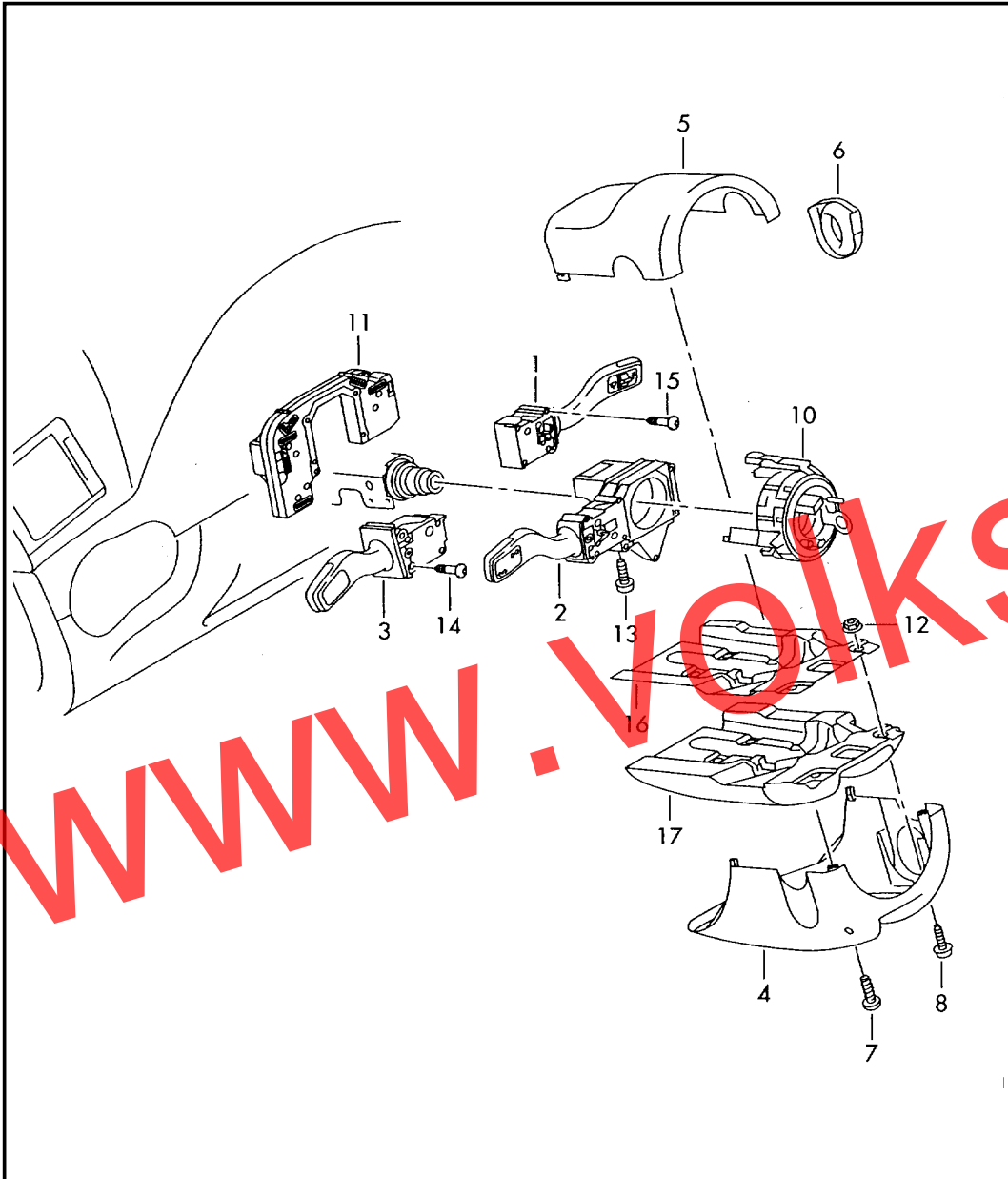
Pos	Part Number	Description	Remark	Qty	Model	Pos	Part Number	Description	Remark	Qty	Model
	01/06-03/09 1GK	kamut beige	-NR			(3)	8H0 971 589 A	airbag wiring harness		1	PR-1MU,1XW, 1XX,2FQ,2PD, 2PU,2ZC,2ZP, 2ZQ,2ZS
	01/06-03/09 4D9	indigo	-HK,HL,HM,HN, MF,MJ								
	01/06-03/09 6PS	soul (black)	-HE,HF,HG,HH, HJ,MG,MM,NK, QE,ZM,ZQ,ZU			6		return ring with slip ring			
(1)	8H0 880 201 L	airbag unit for steering wheel ** only order for ** ** immediate installation **		1	PR-A8S+1MU, 1XW,1XX,2FQ, 2PD,2PU,2ZC, 2ZP	7		control unit for airbag see illustration:	953-50		
	01/06-03/09 1DH	agate grey	-NQ,HD								
	01/06-03/09 1GK	kamut beige	-NR								
	01/06-03/09 4D9	indigo	-HK,HL,HM,HN, MF,MJ								
	01/06-03/09 6PS	soul (black)	-HE,HF,HG,HH, HJ,MG,MM,NK, QE,ZM,ZQ,ZU								
(1)	8H0 880 201 M	airbag unit for steering wheel ** only order for ** ** immediate installation **		1	PR-A8U+1XW, 1XX				959-30		
	01/06-03/09 1DH	agate grey	-NQ,HD								
	01/06-03/09 1GK	kamut beige	-NR								
	01/06-03/09 6PS	soul (black)	-HE,HF,HG,HH, HJ,MG,MM,NK, QE,ZM,ZQ,ZU								
2		individual parts cheese head bolt see illustration:	419-00								
(3)	8H0 971 589	airbag wiring harness		1	PR-1ML,1MR, 2PG,2PL,2PV						

III-No. 905-80	Model Audi A4/S4 Cabrio./qu.	Year 2007 - 2009	Restrictions	Spare parts order system	15:44	08.07.2011
-------------------	---------------------------------	---------------------	--------------	--------------------------	-------	------------



Pos	Part Number	Description	Remark	Qty	Model
1	4B0 905 851 Q	steering lock ignition/starter switch		1	manual gearbox
(1)	4B0 905 851 P	steering lock with ignition/ starter switch without lock cylinder		1	automatic
-	8E0 972 275 A	adapter cable loom reader coil		1	
2	4B0 905 849	ignition/starter switch		1	
3		lock cylinder with keys see illustration:	837-10		
4		lock cylinder without key see illustration:	837-10		
5		key see illustration:	837-10		
6	N 905 845 02	sheer bolt	M8X20-V	2	
7		trim, lower part see illustration:	953-50		
8	8D0 971 975	flat contact housing rework if necessary	8 pin	1	

III-No. 953-50	Model Audi A4/S4 Cabrio./qu.	Year 2007 - 2009	Restrictions	Spare parts order system	15:46	08.07.2011
-------------------	---------------------------------	---------------------	--------------	--------------------------	-------	------------

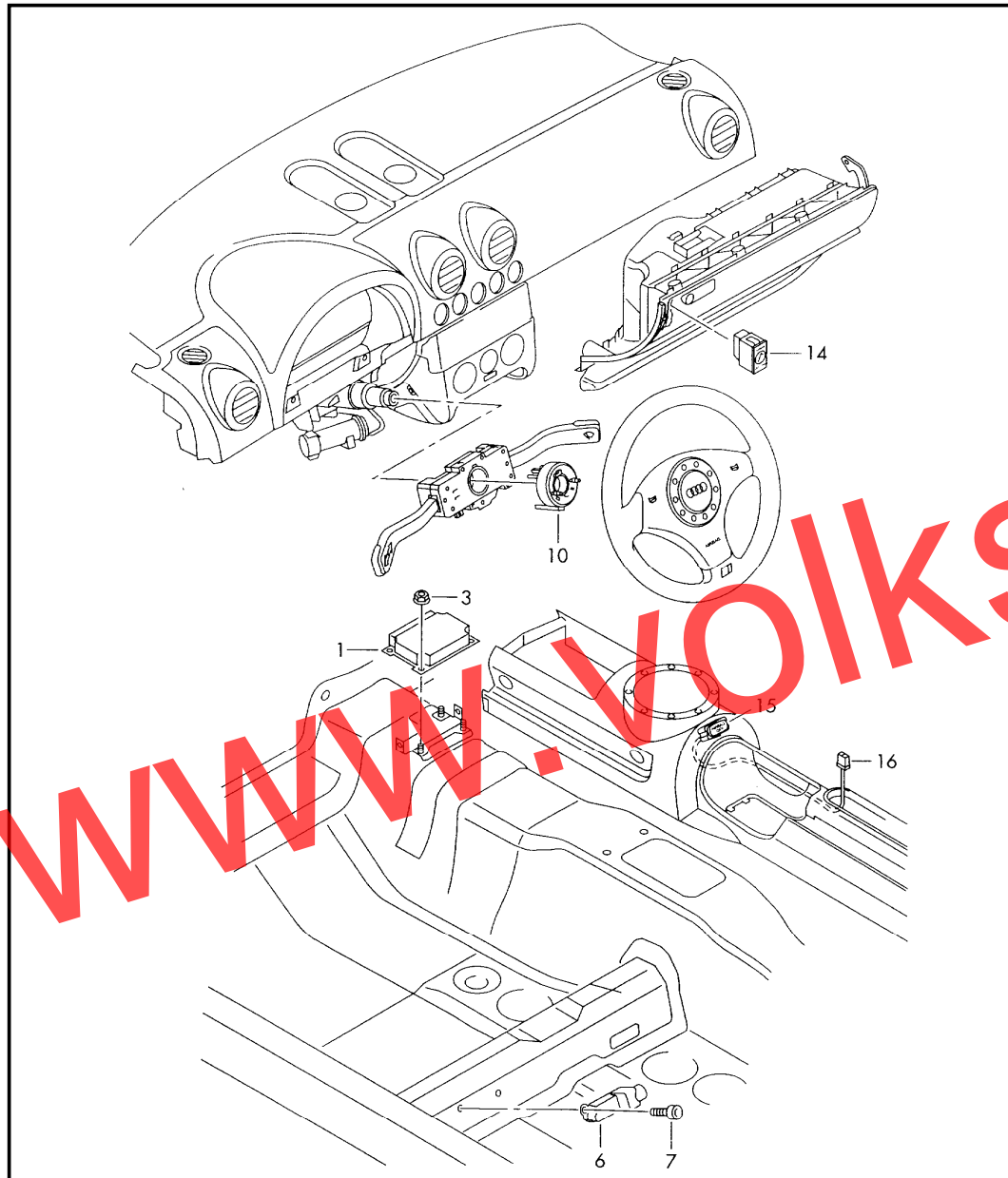


Pos	Part Number	Description	Remark	Qty	Model
1	4E0 953 503	steering column switch and trim return ring with slip ring		1	
	01/06-03/09 4PK	soul (black)			
(1)	4E0 953 503 F	switch for wipers/wash-wipe operation and on-board computer		1	
	01/06-03/09 4PK	soul (black)			
2	4E0 953 513 K	switch for turn signals, main and dip beam, headlight flasher and parking light		1	
	01/06-03/09 4PK	soul (black)			
3	4E0 953 521 B	switch for cruise control system		1	
	01/06-03/09 4PK	soul (black)			
4	8E0 953 512 N	trim, lower part		1	
	01/06-03/09 1DH	agate grey	-HD,NQ		
	01/06-03/09 1GK	kamut beige	-NR		
	01/06-03/09 4D9	indigo	-HK,HL,HM,HN, MF,MJ		
	01/06-03/09 6PS	soul (black)	-HE,HF,HG,HH, HJ,MG,MM,NK, QE,QL,QX,QY, ZM,ZQ,ZU		
(4)	8E0 953 512 P	trim, lower part for models with cruise control system		1	
	01/06-03/09 1DH	agate grey	-HD,NQ		
	01/06-03/09 1GK	kamut beige	-NR		
	01/06-03/09 4D9	indigo	-HK,HL,HM,HN, MF,MJ		

III-No. 953-50	Model Audi A4/S4 Cabrio./qu.	Year 2007 - 2009	Restrictions	Spare parts order system	15:46	08.07.2011
-------------------	---------------------------------	---------------------	--------------	--------------------------	-------	------------

Pos	Part Number	Description	Remark	Qty	Model	Pos	Part Number	Description	Remark	Qty	Model
	01/06-03/09 6PS	soul (black)	-HE, HF, HG, HH, HJ, MG, MM, NK, QE, QL, QX, QY, ZM, ZQ, ZU								
5	8E0 953 515 F	trim upper part		1							
	01/06-03/09 1DH	agate grey	-HD, NQ								
	01/06-03/09 1GK	kamut beige	-NR								
	01/06-03/09 4D9	indigo	-HK, HL, HM, HN, MF, MJ								
	01/06-03/09 6PS	soul (black)	-HE, HF, HG, HH, HJ, MG, MM, NK, QE, QL, QX, QY, ZM, ZQ, ZU								
6		included at item:	4								
7	N 909 067 02	oval head self-tapping screw	2,5X18	2							
8	N 907 287 02	hexagon socket oval head bolt (combi)	M5X16	1							
10	4E0 953 541 B	cancelling ring with slip ring and steering sensor		1							
11	8E0 953 549 R	electronic module for steering column combination switch		1							
12	281 853 620	clamping washer		4							
13	N 904 556 03	allen key head bolt	M5X15	1							
14	N 909 068 02	hex socket head locating bolt	M2,5X2,6X43,5	4							
15	N 909 068 02	hex socket head locating bolt	M2,5X2,6X43,5	2							
16		guide plate no replacement part									
17		shock absorber no replacement part									

III-No. 959-30	Model Audi A4/S4 Cabrio./qu.	Year 2007 - 2009	Restrictions	Spare parts order system	15:48	08.07.2011
-------------------	---------------------------------	---------------------	--------------	--------------------------	-------	------------



Pos	Part Number	Description	Remark	Qty	Model
1	8H0 959 655 E	electrical parts for airbag control unit for driver/front passenger and side airbags and the possibility of deactivat. the front passenger airbag F >> 8H-7-050 000* F >> 8H-7-905 000*		1 1	
(1)	8H0 959 655 G	control unit for driver/front passenger and side airbags and the possibility of deactivat. the front passenger airbag F 8H-8-000 001>>* F 8H-8-900 001>>*		1 1	
1	8H0 959 655 F	control unit for driver/front passenger and side airbags and the possibility of deactivat. the front passenger airbag F >> 8H-7-050 000* F >> 8H-7-905 000*		1 1	PR-A8U PR-A8U
(1)	8H0 959 655 H	control unit for driver/front passenger and side airbags and the possibility of deactivat. the front passenger airbag F 8H-8-000 001>>* F 8H-8-900 001>>*		1 1	PR-A8U PR-A8U
3	1J0 971 254 B	domed cap nut	M6	3	
6	8E0 959 643 C	lateral acceleration sensor -crashsensor- b-pillar, inner	left a. right	2	
(6)	8E0 959 651 A	sensor for longitudinal acceleration -crash sensor-	front left a. right	2	
7	N 014 701 11	allen key head bolt lateral acceleration sensor -crashsensor-	M6X12	4	

Ill-No. 959-30	Model Audi A4/S4 Cabrio./qu.	Year 2007 - 2009	Restrictions	Spare parts order system	15:48	08.07.2011
-------------------	---------------------------------	---------------------	--------------	--------------------------	-------	------------

Pos	Part Number	Description	Remark	Qty	Model	Pos	Part Number	Description	Remark	Qty	Model
(7)	N 104 786 02	cheese head bolt sensor for longitudinal accel- eration -crash sensor-	M6X40 front	4							
10		cancelling ring with slip ring and steering sensor cancelling ring with slip ring and steering sensor see illustration:	953-50								
14	5P0 919 237 B	key switch for deactivating airbag		1							
-		lock cylinder for models with the possibility of deactivating the front passenger airbag see illustration:	837-10								
15		control lamp for airbag contained in: interior and reading light see illustration:	'AIRBAG OFF' 947-00								

www.volkscity.co.uk